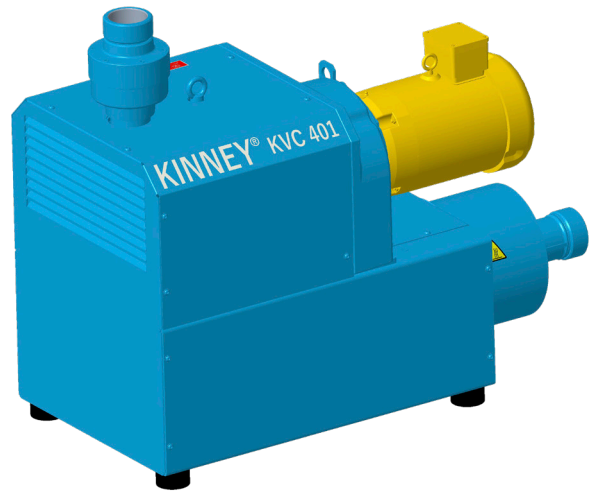


Models

KVC-401 KVC-501

Features

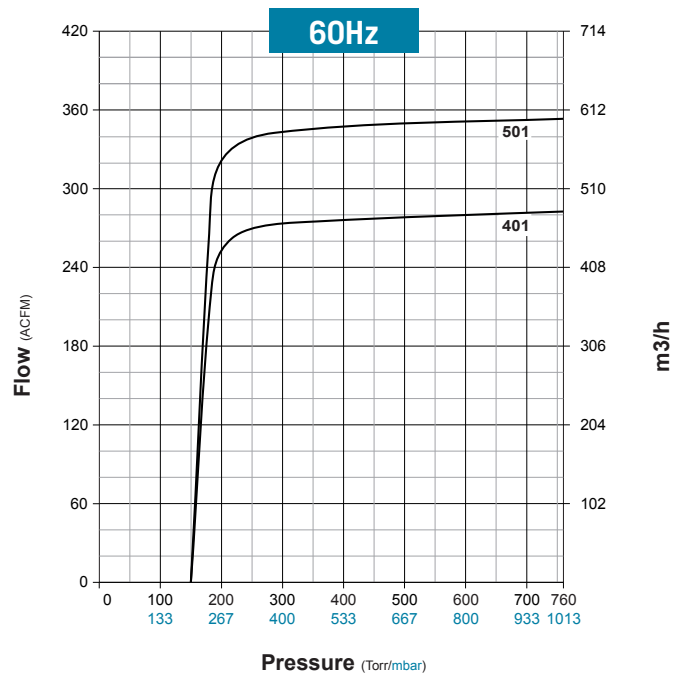
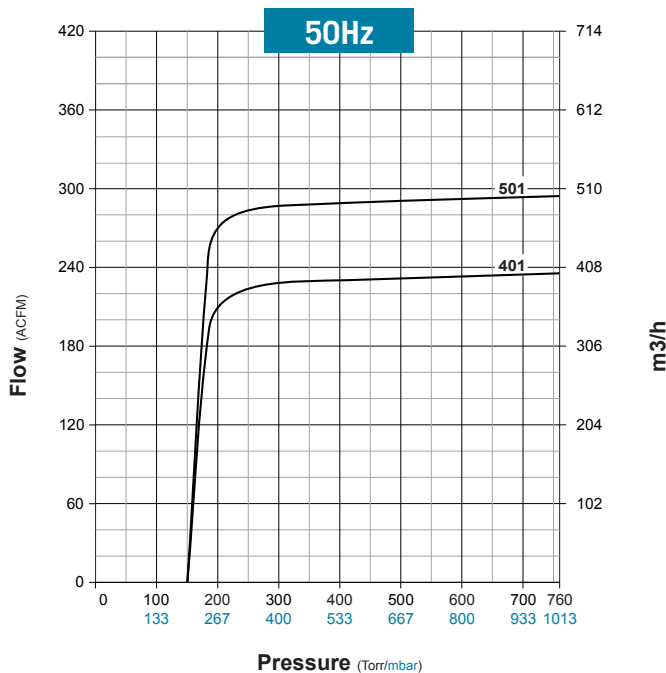
- High efficiency, dry, and contact-less oil-free compression claw vacuum pump
- Equipped with NEMA Premium motor
- Ultimate vacuum for continuous operations is 150 Torr
- Air-cooled and low maintenance
- Suitable for multiple applications with air or inert gases
- Simple and fast installation



Specifications

Model	Nominal Displacement	Ultimate Pressure	Motor	Rotation Speed	Oil Capacity	Pump Weight <i>Includes Motor</i>	Noise Level Max
	CFM / m3/hr	Torr / mbar	60Hz HP / 50Hz kW	60Hz / 50Hz	Gal. / Liters	Lbs. / kg	dB(A)
KVC-401	50Hz 240 / 408 60Hz 285 / 485	150 / 200	12 / 7.5	3550 / 2950	.5 / 1.8	930 / 442	81
KVC-501	50Hz 295 / 501 60Hz 355 / 603	150 / 200	15 / 11	3550 / 2950	.5 / 1.8	1118 / 512	81

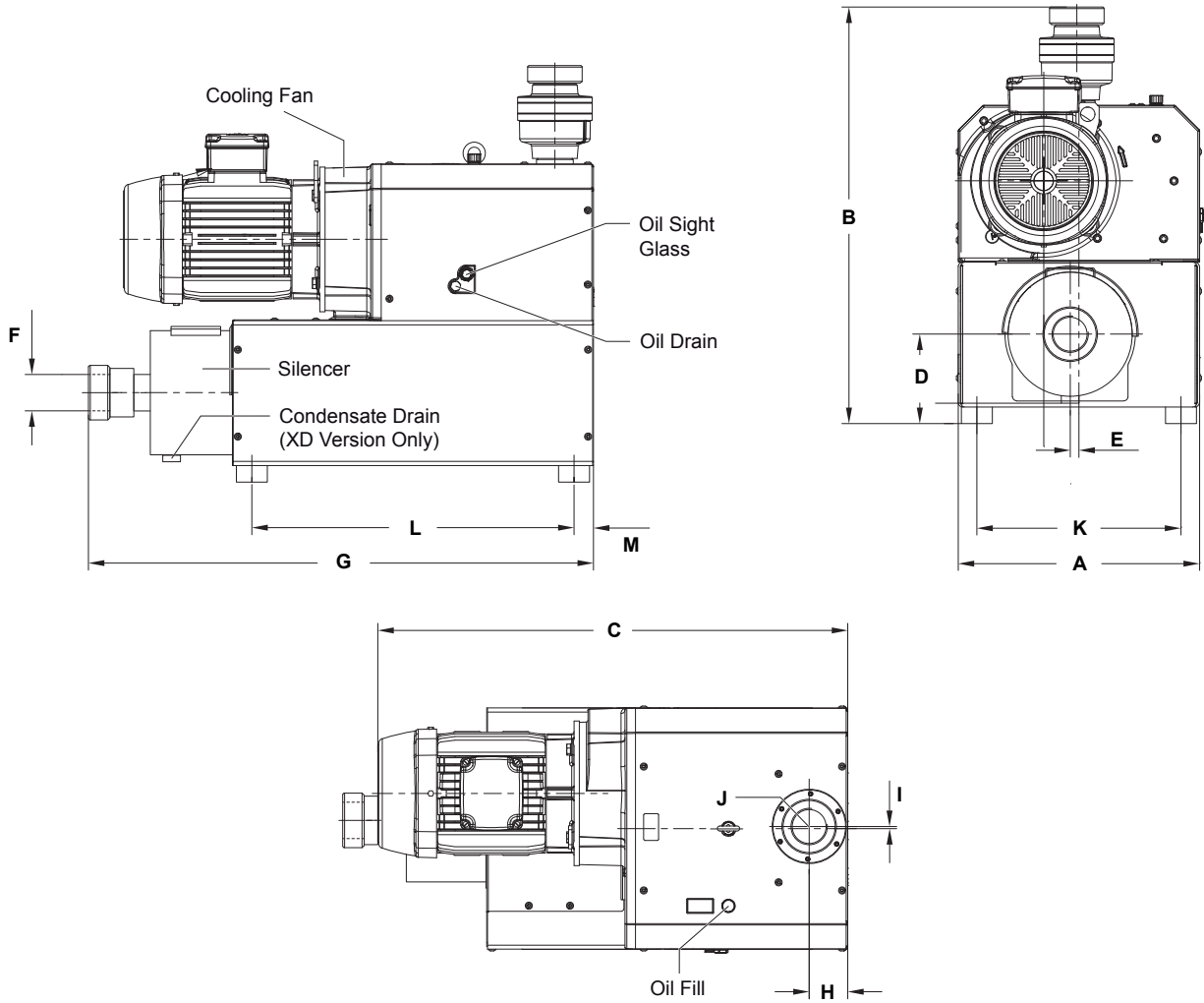
Typical Pumping Speed Curves



Dimensions

Values shown are approximate and should not be used for construction.
 Certified drawings are available through your local Kinney Sales Professional.

Models KVC-401, KVC-501



Model	A	B	C	D	E	F - EXHAUST	G	H	I	J - INLET	K	L	M
KVC-401	23.54	36.76	41.64	8.5	.83		50.04	3.7	.2		19.45	30.71	1.89
in. / mm	598	1010	1058	216	22	3" FNPT	1271	94	5	3" NPT	494	780	48
KVC-501	23.54	39.84	44.95	8.5	.83		48.98	3.7	.2		19.45	30.71	1.85
in. / mm	598	1012	1167	217	22	3" FNPT	1245	95	6	3" NPT	495	781	48

CONTACT US

For more information, contact your
 Regional Sales Manager or call us at:

1-800-825-6937

Your Local Sales Professional: