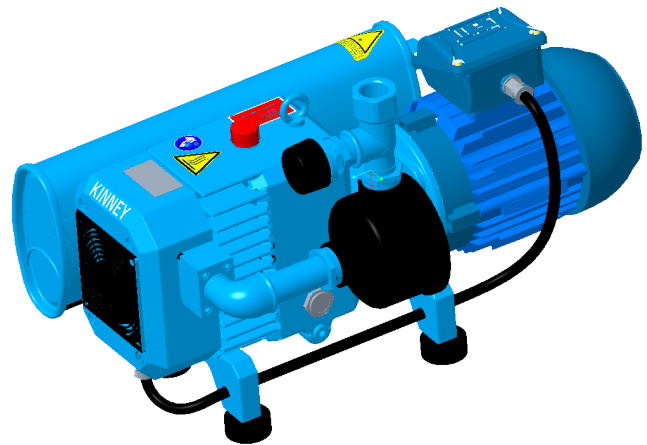


## Models

KVC-60

## Features

- High efficiency, dry, and contact-less oil-free compression claw vacuum pump
- Equipped with an IEC high efficiency motor
- Ultimate vacuum for continuous operations is 75 Torr
- Air-cooled and low maintenance
- Suitable for multiple applications with air or inert gases
- Simple and fast installation

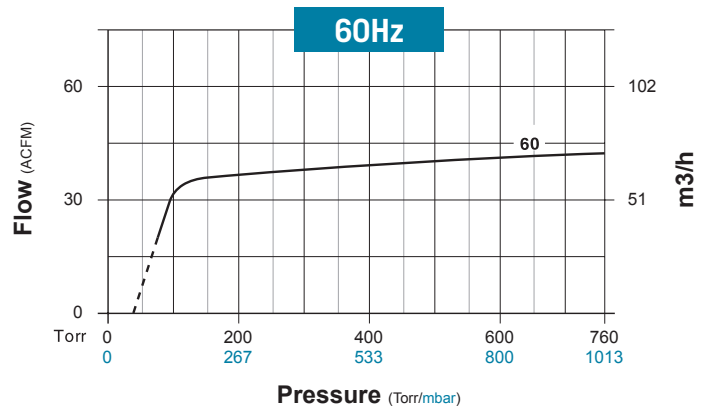
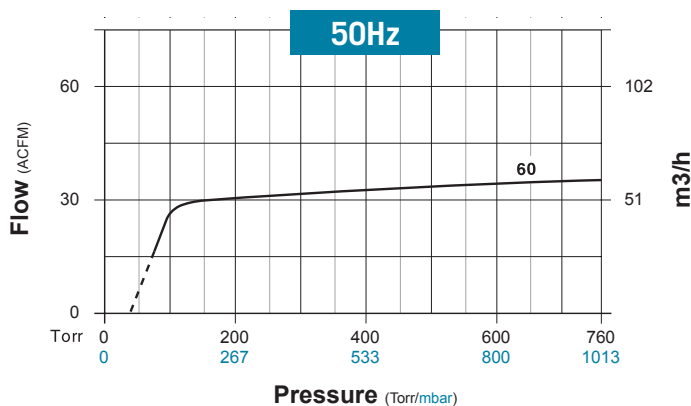


## Specifications

Model	Nominal Displacement	Ultimate Pressure	Motor	Rotation Speed	Oil Capacity	Pump Weight <i>Includes Motor</i>	Noise Level Max
	CFM / m3/hr	Torr / mbar	60Hz HP / 50Hz kW	60Hz / 50Hz	Gal. / Liters	Lbs. / kg	dB(A)
KVC-60	50Hz 35.3 / 60 60Hz 42.4 / 72	75 / 100	2 / 1.1	3450 / 2850	.1 / .4	136 / 62	80

## Typical Pumping Speed Curves

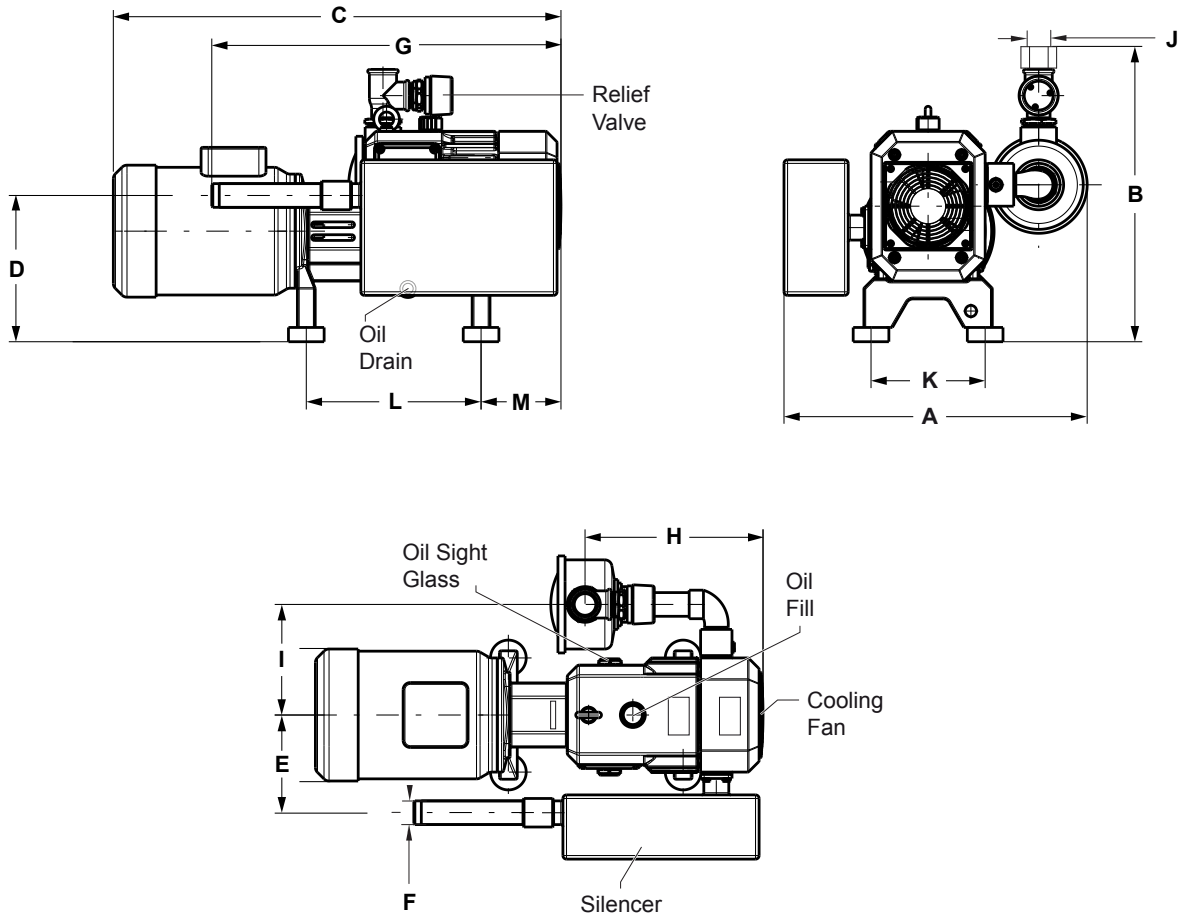
*Note: Do not operate the pump in the vacuum level shown by the dotted line.*



## Dimensions

Values shown are approximate and should not be used for construction.  
 Certified drawings are available through your local Kinney Sales Professional.

## Models KVC-60



Model	A	B	C	D	E	F - EXHAUST	G	H	I	J - INLET	K	L	M
KVC-60 in. / mm	17 431	16.3 415	24.7 627	8.07 205	6 153	1" MBSP	19.17 487	9.92 252	6.26 159	1" FNPT	6.3 160	9.65 245	4.41 112

## CONTACT US

For more information, contact your  
 Regional Sales Manager or call us at:

**1-800-825-6937**

Your Local Sales Professional: