

Models

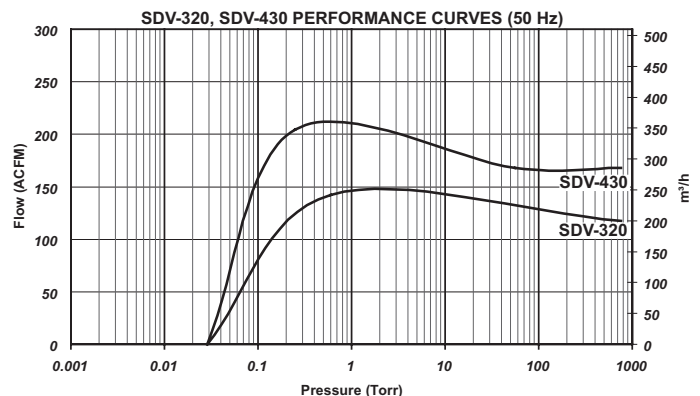
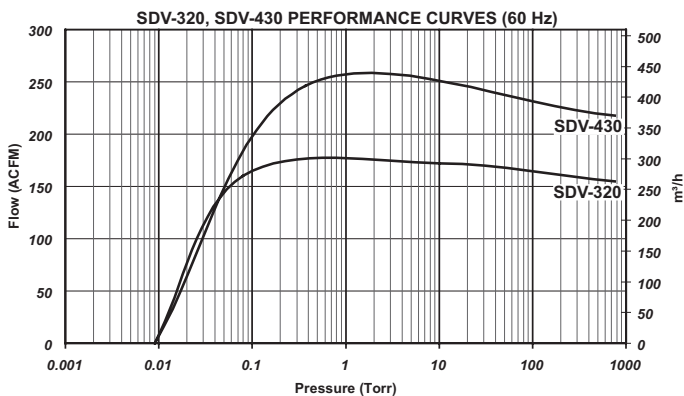
SDV-320 SDV-430

Features

- Patented variable pitch rotor design
- Lower gas discharge temperatures – no cooling purges needed
- No oil or water in contact with process gases
- No metal-to-metal contact between operating parts
- Space saving C-face motor design eliminates need for motor coupling and guard
- Short gas path through the pump for quick discharge
- Quiet operation ≤ 80 dB(A)
- PEEK coated internals reduce damage from corrosive or condensable gases



Typical Pumping Speed Curves



Materials of Construction

Non-Process-Wetted Surfaces:

Ductile iron, uncoated

Process-Wetted Surfaces:

Ductile iron, PEEK coating

Timing Gears:

Alloy steel, precision ground, helical type

SHAFT SEALS:

Drive End: Mechanical seal & lip seal

Non-Drive End: Triple lip seals

Drive Shaft: Mechanical seal

O-rings: Kalrez® compound 6375

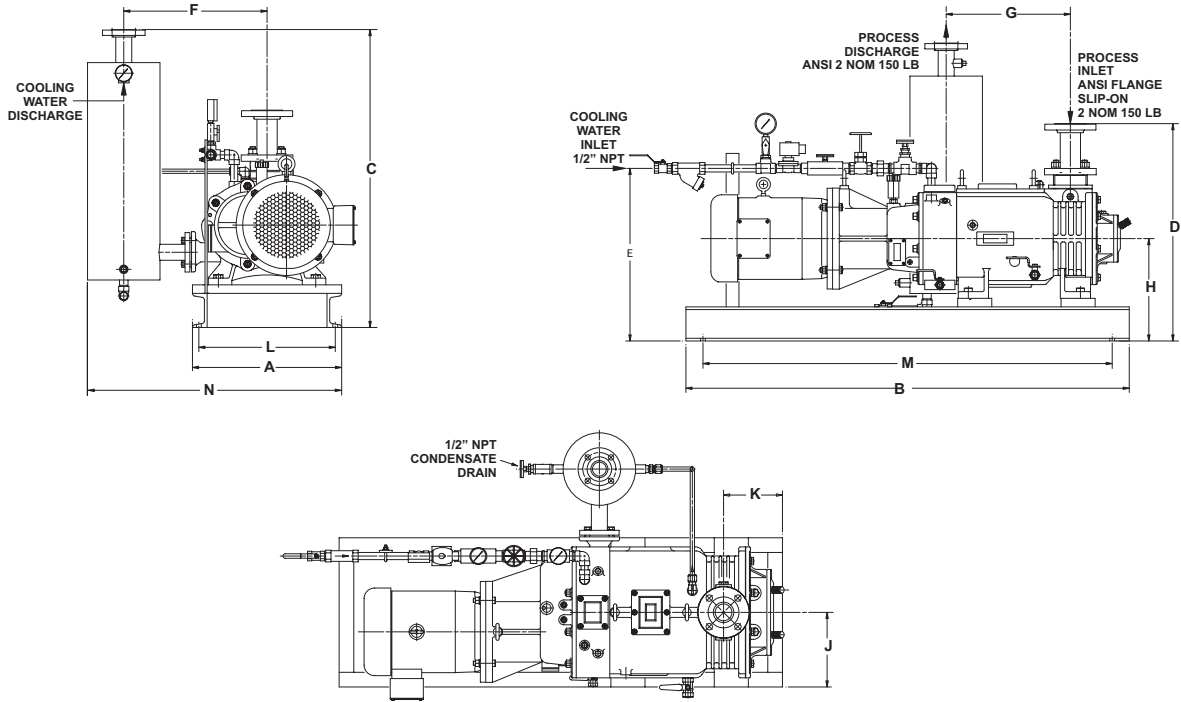
Kalrez® is a registered trademarks of E.I. duPont de Nemours and Company.

Specifications

MODEL	CAPACITY (60 HZ) (50 HZ) CFM / m ³ /h	ULTIMATE PRESSURE (60 Hz) (50 Hz) Torr / mbar	ROTATION SPEED 60 Hz / 50 Hz	MOTOR HP	POWER CONSUMPTION 60 Hz / 50 Hz kW	SUCTION FLANGE (ANSI, 150# RF) in. / mm	DISCHARGE FLANGE (ANSI, 150# RF) in. / mm	COOLING WATER GPM / L/min	NOISE LEVEL dB(A)
SDV-320	188 / 320 157 / 267	0.01 / 0.013 0.03 / 0.04	3500 / 2900	10	6.4 / 5.4	2 / 50	1.5 / 40	2.1 / 8	80
SDV-430	253 / 430 211 / 358	0.01 / 0.013 0.03 / 0.04	3500 / 2900	15	9.4 / 7.9	2.5 / 65	2 / 50	2.9 / 11	80

Dimensions

Values shown are approximate and should not be used for construction.
 Certified drawings are available through your local Kinney Sales Professional.



in. mm.	A	B	C	D	E	F	G	H	J	K	L	M	N	BARE SHAFT LBS. kg	COMPLETE UNIT LBS kg
SDV-320	17.50 445	52 1321	34.94 887	25.49 647	20.24 514	16.81 427	14.57 370	12.01 305	8.75 222	4.96 126	16 406	48 1219	30 762	617 280	1130 513
SDV-430	18.19 462	57 1448	38.9 988	26.81 681	21.31 541	17.99 457	17.32 440	12.56 319	9.1 231	5.43 138	16.81 427	53 1346	31.5 806	771 350	1450 658

CONTACT US

For more information, contact your
 Regional Sales Manager or call us at:

1-800-825-6937

Your Local Sales Professional: