

**Model KLRC-200, KLRC-300**

**Features**

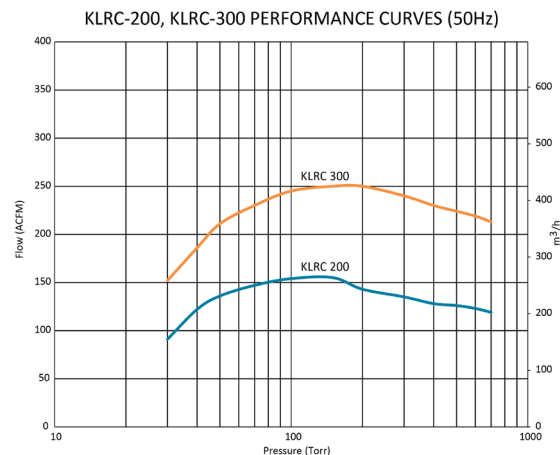
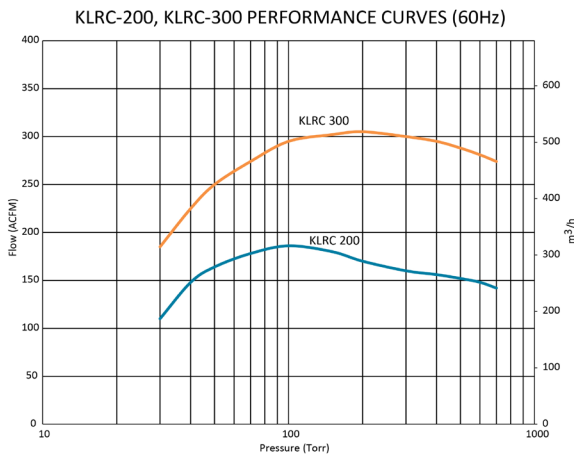
- Impellers positively locked to shaft
- Reliable mechanical seals for high-integrity sealing and low shaft friction
- Center-anchored tie rods allow access to either end of the pump without total disassembly
- Precision casting and CNC machining eliminates the need for body gasketing (process dependent)
- Replaceable end plates
- Clearance adjustments via shims
- Made in the USA



KLRC - 200/300 Material & Seal Code		
<b>KLRC-200/300 XY</b>	X	Material code
	Y	Mechanical seal code
<b>Material Code (X)</b>	F	Cast iron casings, SS316L impellers & SS316 shaft
	C	All wetted parts SS316L & SS316 shaft
<b>Mechanical Seal Code (Y)</b>	A	John Crane Type 21 Carbon/Ceramic/Viton
	D	Flowserve Type RO Carbon/ Durchrome/Viton.
	L	PTFE encapsulated Viton O-Rings
<b>Consult factory for alternate seal configurations</b>		

Specifications	KLRC-200		KLRC-300	
	60 Hz	50 Hz	60 Hz	50 Hz
<b>Motor Power</b>	15 HP	11 KW	25 HP	18.5 KW
<b>Pump Speed</b>	1750 RPM	1450 RPM	1750 RPM	1450 RPM
<b>Seal Water Flow</b>	8 GPM		12 GPM	
<b>Noise Level</b>	74 dBA @ 60 Torr (3 ft)			
<b>Maximum Allowable Suction Temperature</b>	220°F (Hot Pump)			

**Typical Pumping Speed Curves**



- 1.) Above performance data based on 68° F inlet air with 50% relative humidity and using water as a sealant at 60° F.
- 2.) All SS pump capacity less 10%

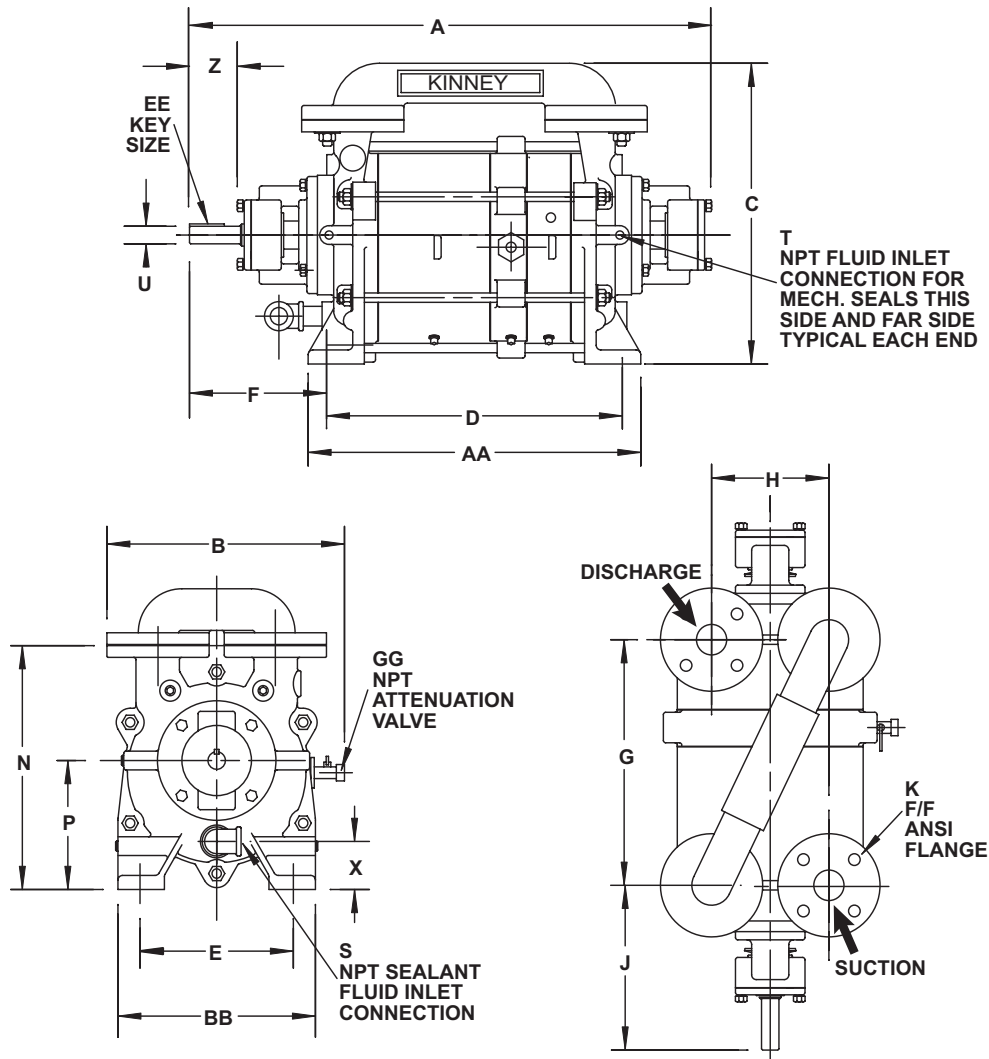
## Dimensions

Values shown are approximate and should not be used for construction.  
 Certified drawings are available through your local Kinney Sales Professional.

## Bare Shaft Pump

Models: **KLRC-200 & KLRC-300**

PUMP ROTATION CLOCKWISE  
 FACING PUMP SHAFT

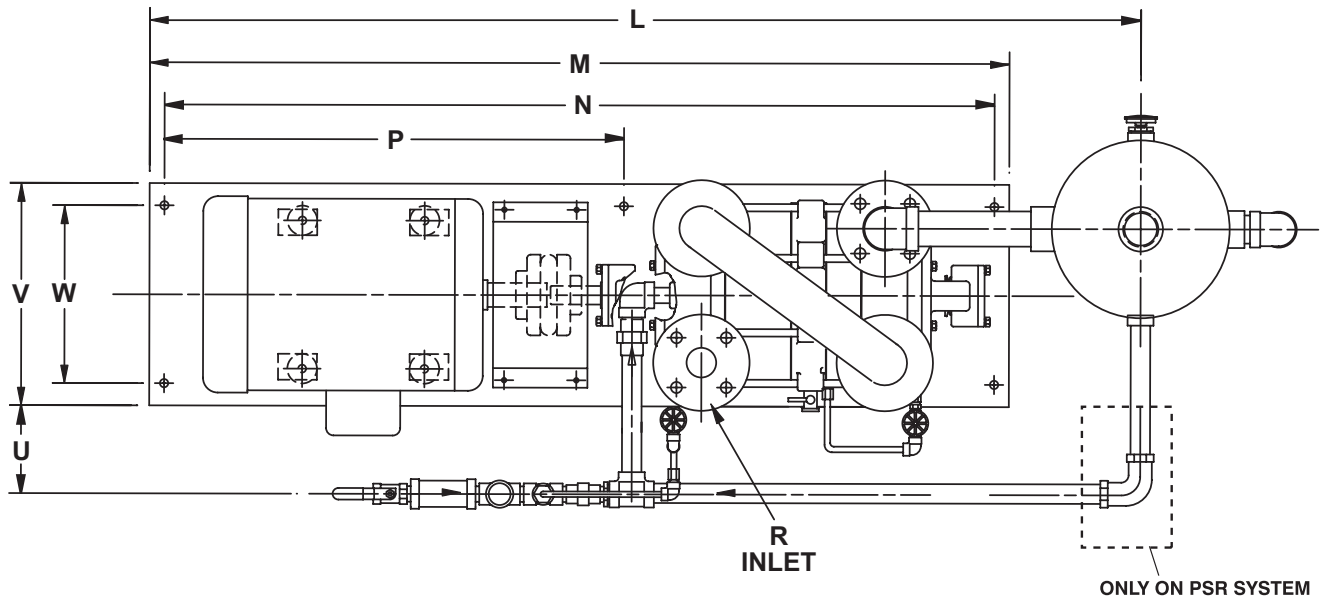
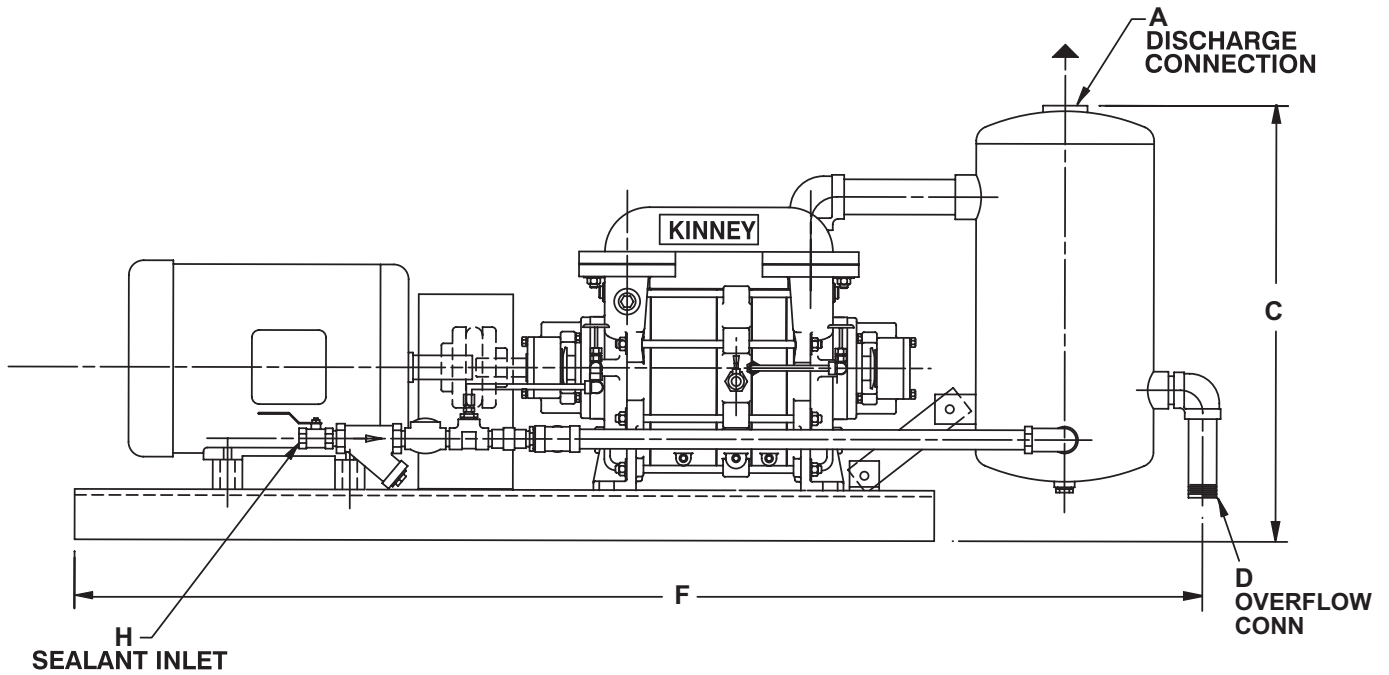


in mm	A	B	C	D	E	F	G	H	J	K	N
KLRC-200	29 11/16 754	16 7/8 428	19 1/8 486	15 381	9 1/4 235	8 13/16 224	12 3/8 314	9 1/16 230	10 3/16 259	2" ANSI	15 1/4 387
KLRC-300	33 9/16 853	16 7/8 428	19 1/8 486	19 483	9 1/4 235	8 13/16 224	16 5/16 414	9 1/16 230	10 3/16 259	2" ANSI	15 1/4 387

in mm	P	S	T	U	X	Z	AA	BB	EE	GG	APPROX WEIGHT LBS / kg
KLRC-200	8 1/4 210	1" NPT	1/4" NPT	1 1/4"	3 3/8" 86	3 76	16 15/16 430	11 3/4 299	1/4 x 1/4	1/4" NPT	360 / 163
KLRC-300	8 1/4 210	1" NPT	1/4" NPT	1 1/4"	3 3/8" 86	3 76	20 7/8 530	11 3/4 299		1/2" NPT	405 / 184

# NSR (No Sealant Recovery) & PSR (Partial Sealant Recovery) System

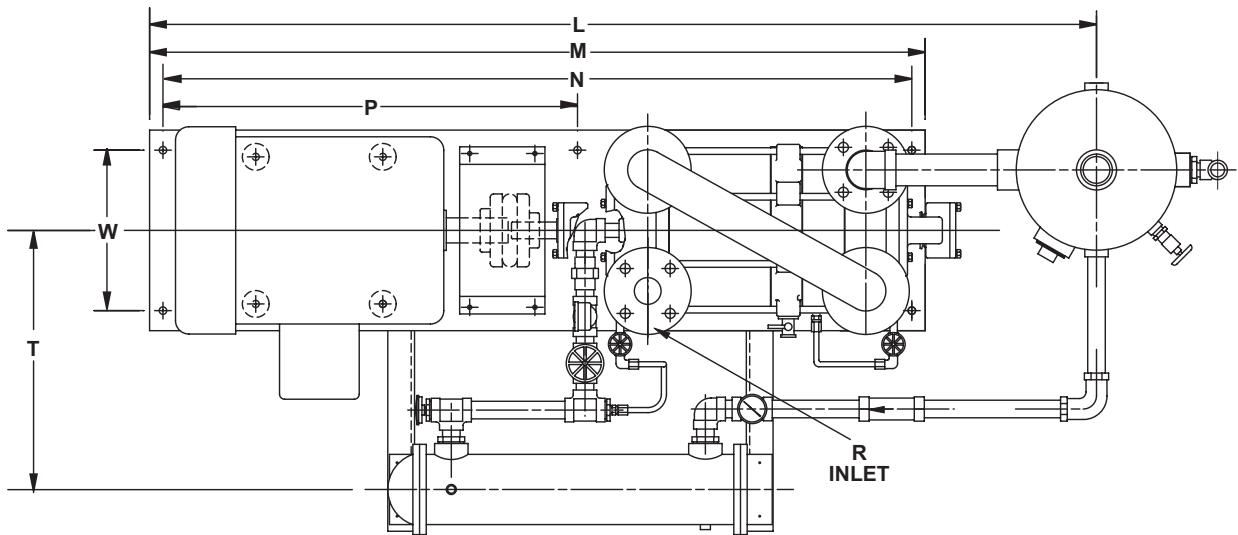
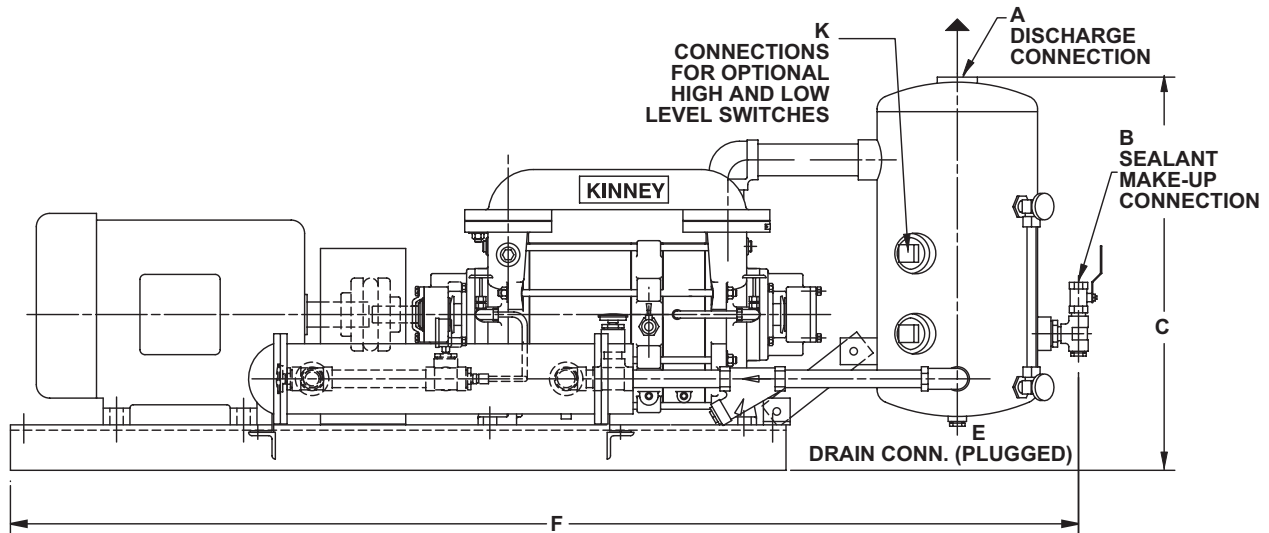
Models: KLRC-200 & KLRC-300



in mm	A	C	D	F	H	L	M	N	P	R	U	V	W	APPROX. WEIGHT LBS / kg
KLRC-200	2" NPT	29 3/8 746	1 1/2" NPT	76 7/16 1942	3/4" NPT	66 7/8 1699	58 1473	56 1422	31 787	2" F/F Flange	6 13/16 173	15 381	12 305	840 381
KLRC-300	2" NPT	29 3/8 746	1 1/2" NPT	81 2057	3/4" NPT	70 13/16 1799	58 1473	56 1422	31 787	2" F/F Flange	7 5/16 186	15 381	12 305	920 417

# FSR (Full Sealant Recovery) System

Models: KLRC-200 & KLRC-300



in mm	A	B	C	E	F	K	L	M	N	P	R	T	W	APPROX. WEIGHT LBS / kg
KLRC-200	2" NPT	3/4" NPT	29 3/8 746	3/4" NPT	76 1930	(2) 2" NPT	66 7/8 1698	58 1473	56 1422	31 787	2" F/F FLANGE	18 1/8 460	12 305	1220 553
KLRC-300	2" NPT	3/4" NPT	29 3/8 746	3/4" NPT	80 2032	(2) 2" NPT	70 13/16 1799	58 1473	56 1422	31 787	2" F/F FLANGE	19 5/8 498	12 305	1252 568

## CONTACT US

For more information, contact your Regional Sales Manager or call us at:

**1-800-825-6937**

Your Local Sales Professional: