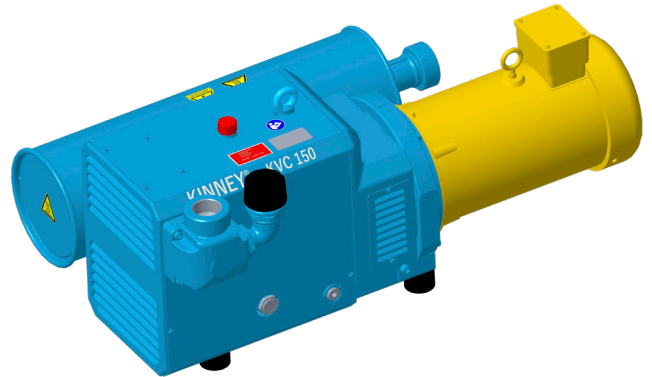


Models

KVC-100 KVC-150 KVC-251

Features

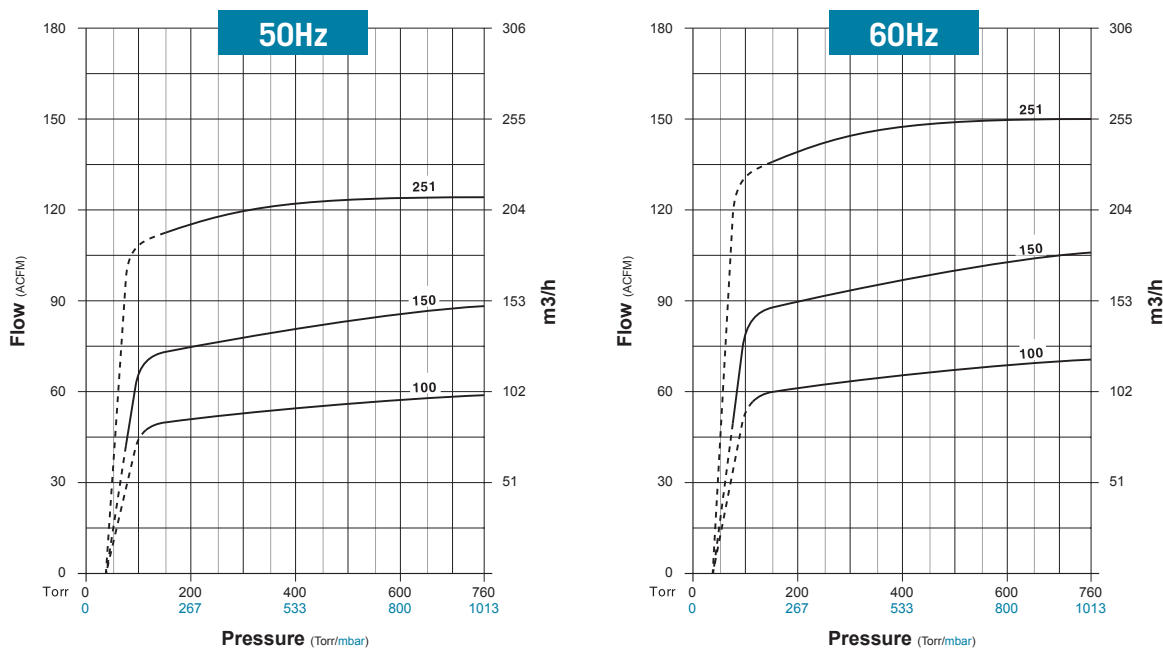
- High efficiency, dry, and contact-less oil-free compression claw vacuum pump
- Equipped with NEMA Premium motor
- Ultimate vacuum for continuous operations from 75 to 100 Torr
- Air-cooled and low maintenance
- Suitable for multiple applications with air or inert gases
- Simple and fast installation



Specifications

Model	Nominal Displacement	Ultimate Pressure	Motor	Rotation Speed	Oil Capacity	Pump Weight <i>Includes Motor</i>	Noise Level Max
	CFM / m3/hr	Torr / mbar	60Hz HP / 50Hz kW	60Hz / 50Hz	Gal. / Liters	Lbs. / kg	dB(A)
KVC-100	50Hz 58.9 / 100 60Hz 70.6 / 120	113 / 150	3 / 2.2	3450 / 2850	.15 / .55	254 / 115	82
KVC-150	50Hz 88.3 / 150 60Hz 106 / 180	75 / 100	5 / 3.0	3450 / 2850	.16 / .6	309 / 140	82
KVC-251	50Hz 88.3 / 210 60Hz 150 / 255	150 / 200	7.5 / 4.0	3450 / 2850	.16 / .6	327 / 164	78

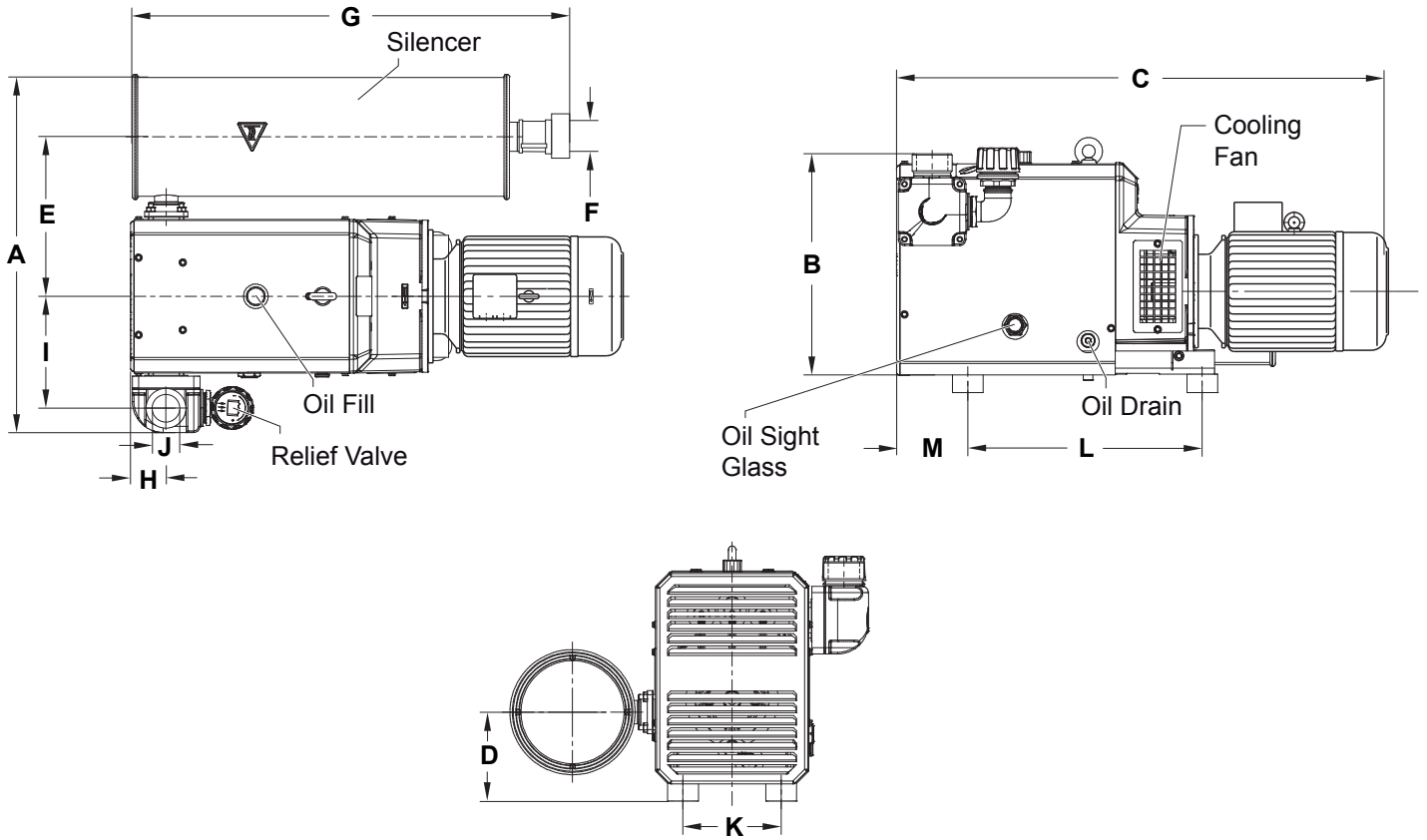
Typical Pumping Speed Curves *Note: Do not operate the pump in the vacuum level shown by the dotted line.*



Dimensions

Values shown are approximate and should not be used for construction.
 Certified drawings are available through your local Kinney Sales Professional.

Models KVC-100, KVC-150, KVC-251



Model	A	B	C	D	E	F - EXHAUST	G	H	I	J - INLET	K	L	M
KVC-100 in. / mm	23.07 586	14.53 369	29.9 759	4.53 115	10.28 261	1 ½" FNPT	29.8 757	2.62 92	7.2 183	1 ½" FNPT	8.66 220	17.32 440	2.99 76
KVC-150 in. / mm	22.99 584	15.24 387	36 916	5.71 145	10.24 260	1 ½" FNPT	28.5 725	2.28 58	7.17 182	1 ½" FNPT	6.3 160	15.04 382	4.57 116
KVC-251 in. / mm	25 635	14.9 378	38.3 973	5.91 150	11.0 280	2" FNPT	41.06 1043	2.56 65	7.68 195	2" FNPT	6.3 160	15.04 382	6.81 173

CONTACT US

For more information, contact your
 Regional Sales Manager or call us at:

1-800-825-6937

Your Local Sales Professional: