

## CBV Booster Systems WITH VARIABLE SPEED MOTOR (VSM) TECHNOLOGY

**MODELS: CBV4015 CBV7230 CBV1250 CBV2085**

Kinney® Compact Booster Variable (CBV) Systems combine the features of Kinney KT™ pumps and vacuum boosters with VSM Technology into a space efficient package capable of continuous, high pumping capacity to 10 microns. The CBV booster system is ideal for use in vacuum furnace, vacuum coating, sputtering, space simulation, and other applications where rapid pump down is required.

### CBV BOOSTER SYSTEM BENEFITS

- High pumping capacity starting from atmospheric pressure
- VSM booster motor VFD tuned and programmed by Kinney
- VSM motor eliminates vacuum booster “wind-milling”
- Reduces vacuum pump down cycle time by 30-40%, depending on chamber volume
- No unique “bypass” booster needed
- No vacuum switch required to start booster

### STANDARD FEATURES

- Integral drive booster with VSM (includes remote VFD keypad with RJ45 cable)
- Kinney KT pump
- Overtemperature switch for booster
- Steel base with VibraMounts

### SPECIFICATIONS (IMPERIAL / METRIC)

System Model	Hz	CIP <sup>1</sup> (Torr)	Maximum COP <sup>2</sup> (Torr)	Booster Model	Displacement CFM / m <sup>3</sup> /h	HP / kW	Pump Model	Displacement CFM / m <sup>3</sup> /h	HP / kW
CBV4015	60	760	760	400	400 / 680	5 / 3.7	KT-150	150 / 250	7.5 / 5.5
	50								
CBV7230	60			720	720 / 1220	7.5 / 5.5	KT-300	300 / 500	15 / 11
	50								
CBV1250	60			1200	1200 / 2040	10 / 7.5	KT-500	500 / 850	30 / 22
	50								
CBV2085	60			2000	2000 / 3400	10 / 7.5	KT-850	780 / 1330	40 / 30
	50								

<sup>1</sup> CIP = Cut-in Pressure | <sup>2</sup> COP = Maximum Continuous Operating Pressure

VSM Technology

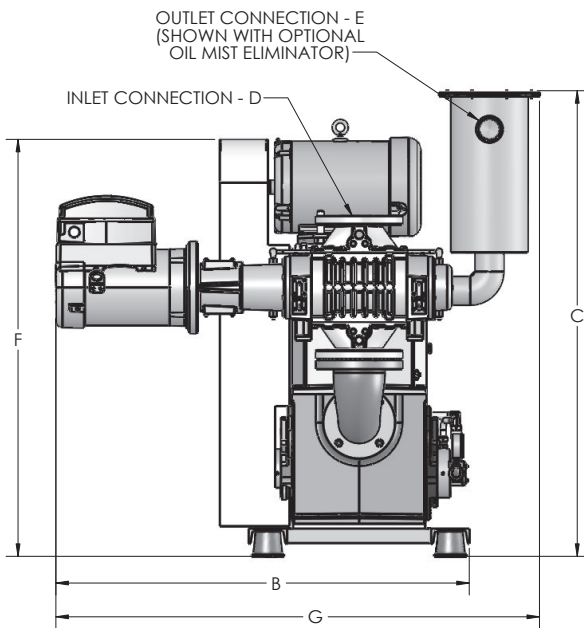
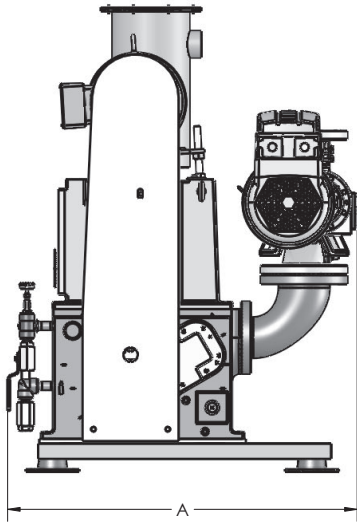


### OPTIONAL FEATURES

- Oil mist eliminator
- Suction flexible connector
- Cooling water solenoid valve
- KT Series “Water Miser” thermostatic valve
- Air cooling systems

## DIMENSIONS

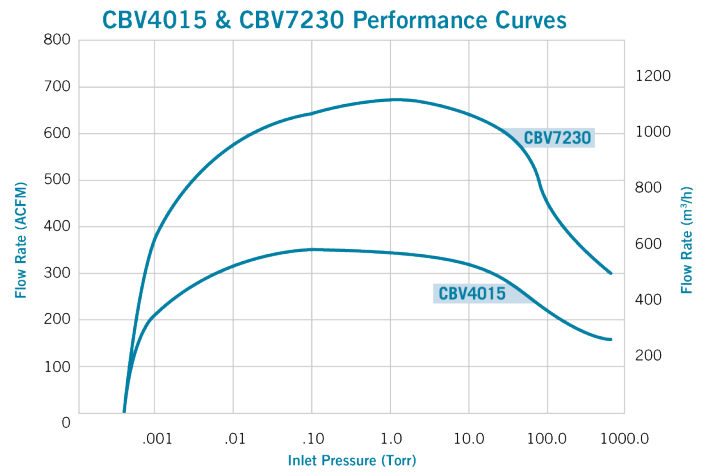
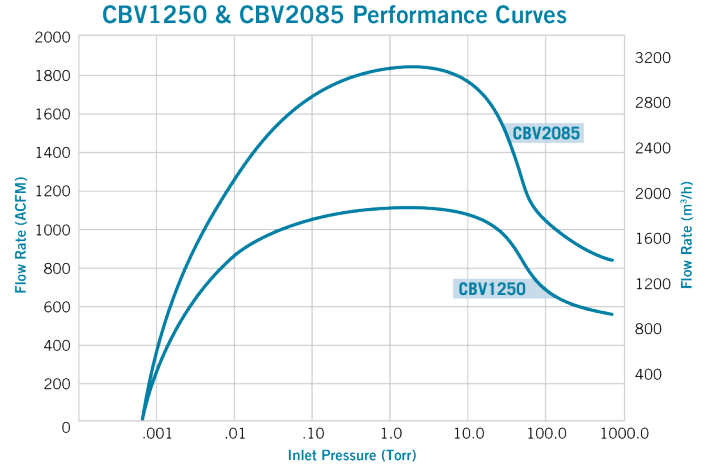
Values shown are approximate and should not be used for construction. Certified drawings are available through your local Kinney sales professional.



## DIMENSIONAL TABLE (INCHES / MILLIMETERS)

System Model	A	B	C	D (Inlet)	E (Discharge)	F	G
CBV4015	36 914	39 991	48 1219	4" FLG	3" NPT	44 1118	48 1279
CBV7230	42 1067	48 1219	58 1473	4" FLG	3" NPT	58 1473	57 1448
CBV1250	54 1372	53 1346	72 1829	6" FLG	4" FLG	65 1651	68 1727
CBV2085	57 1448	78 1981	86 2184	8" FLG	5" FLG	75 1905	80 2032

## TYPICAL PUMPING SPEED CURVES



## CONTACT US

For more information, contact your Regional Sales Manager or call us at:

**1-800-825-6937**

Your Local Sales Professional: