

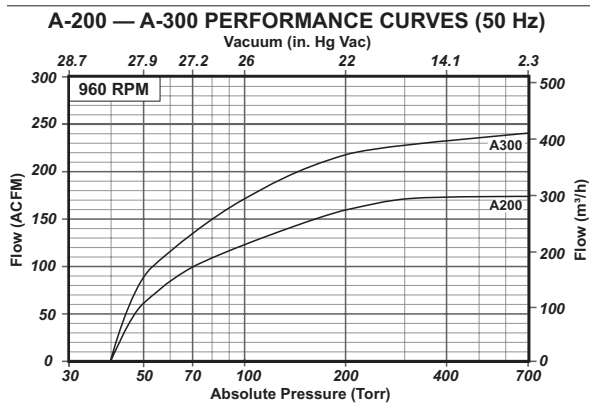
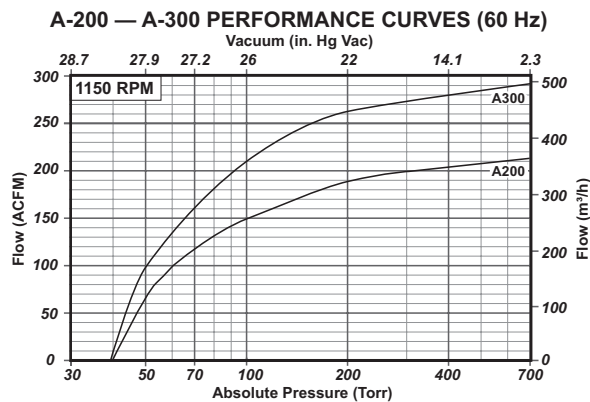
## Models

A200 A300

## Features

- No contact between operating components in the casing
- Flat power curve over entire vacuum range prevents motor overload
- Reduced stress on motor shaft and bearings
- Increased water handling capability prevents heat build-up, extends life of mechanical seals
- Compact, close-coupled design eliminates need for inter-stage manifold or motor alignment
- Shrouded rotor increases pumping efficiency for high vacuum and low water consumption
- Fast delivery on standard materials and local support

## Typical Pumping Speed Curves



Performance curves are based on dry air at 68°F (20°C), 60°F (15°C) seal water, and 29.92 inches of mercury (760 torr) barometric pressure.



## Materials of Construction

### Casing, Cover, Rotor, Port Cylinder:

Cast Iron

### Mechanical Seals:

BUNA — Optional

Viton™ — Cast Iron Bronze Fitted, All Bronze, Stainless Steel

EPR — Optional

Kalrez™ — Optional

### Drive Options:

Pedestal Frame

Close-coupled motor

### Stocked Motors:

TEFC – 3Ø

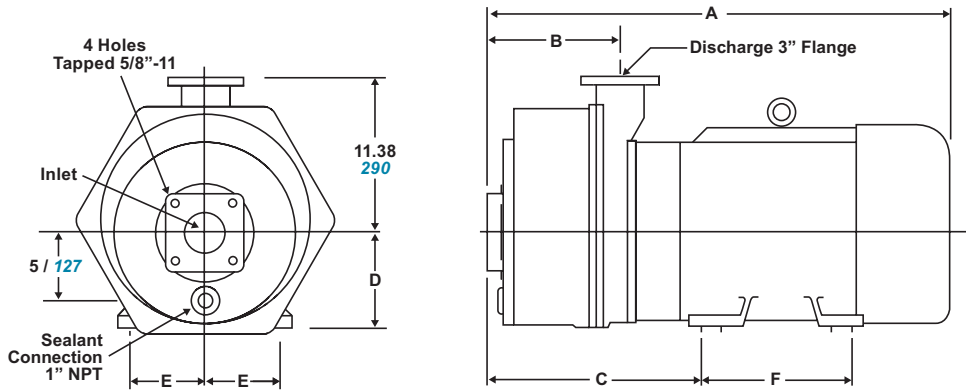
### Optional Motors:

XP Class I, GpD – 3Ø — Optional

## Dimensions

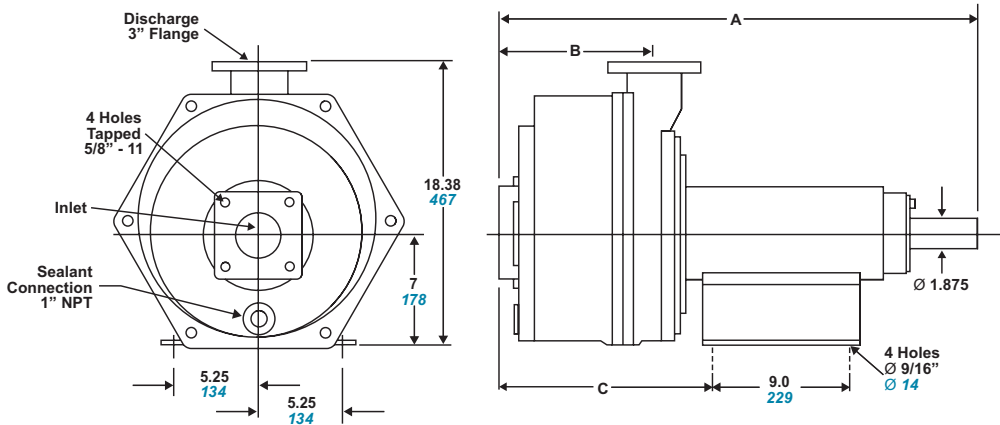
Values shown are approximate and should not be used for construction. Certified drawings are available through your local Kinney Sales Professional.

## Close-coupled Design



MODEL	FRAME	INLET	inches/mm						MOTOR HP	Weight (lbs./kg)
			A	B	C	D	E	F		
A200	284TYZ	3" Flange	32.4 / 823	8.3 / 211	14.2 / 361	7.0 / 178	5.50 / 140	11.0 / 279	15	560 / 254
A300	284TYZ	3" Flange	33.7 / 856	9.7 / 246	15.6 / 396	7.0 / 178	5.50 / 140	11.0 / 279	20	600 / 272

## Pedestal Mount Design



MODEL	INLET	inches/mm			Weight (lbs./kg)
		A	B	C	
A200	3" Flange	28.81 / 732	8.31 / 211	11.88 / 302	250 / 114
A300	3" Flange	30.19 / 767	9.69 / 246	13.25 / 337	325 / 148

## CONTACT US

For more information, contact your Regional Sales Manager or call us at:

**1-800-825-6937**

Your Local Sales Professional: