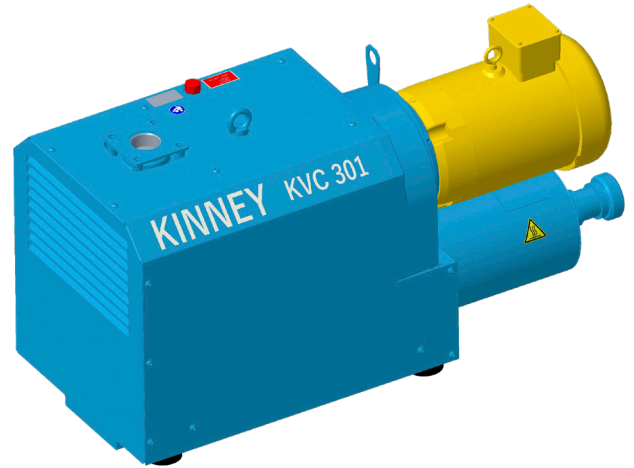


Models

KVC-301

Features

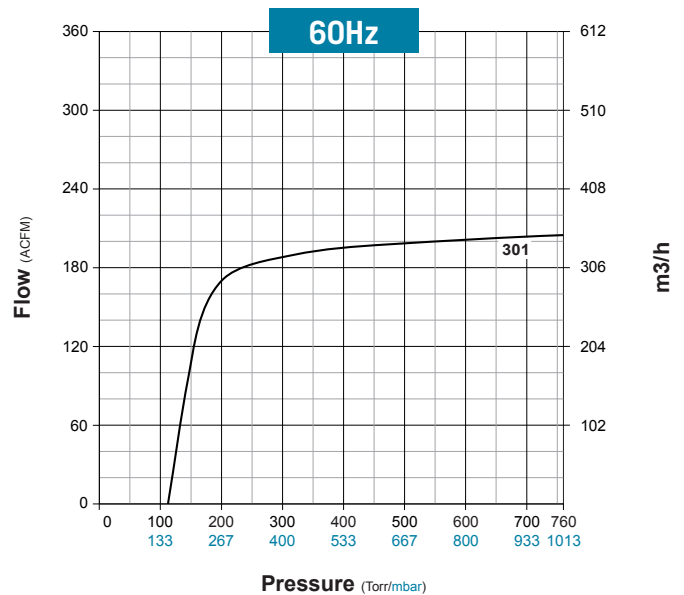
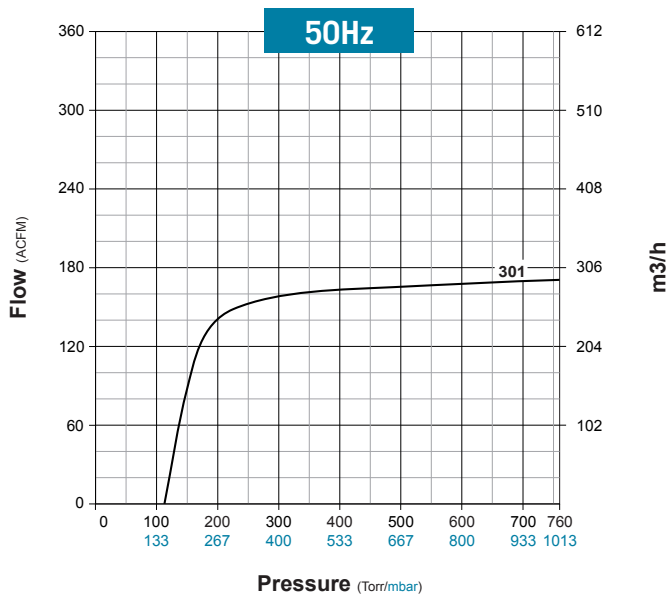
- High efficiency, dry, and contact-less oil-free compression claw vacuum pump
- Equipped with NEMA Premium motor
- Ultimate vacuum for continuous operations is 113 Torr
- Air-cooled and low maintenance
- Suitable for multiple applications with air or inert gases
- Simple and fast installation



Specifications

Model	Nominal Displacement	Ultimate Pressure	Motor	Rotation Speed	Oil Capacity	Pump Weight <i>Includes Motor</i>	Noise Level Max
	CFM / m3/hr	Torr / mbar	60Hz HP / 50Hz kW	60Hz / 50Hz	Gal. / Liters	Lbs. / kg	dB(A)
KVC-301	50Hz 170 / 290 60Hz 205 / 350	113 / 150	7.5 / 5.5	3550 / 2950	.4 / 1.5	612 / 278	77

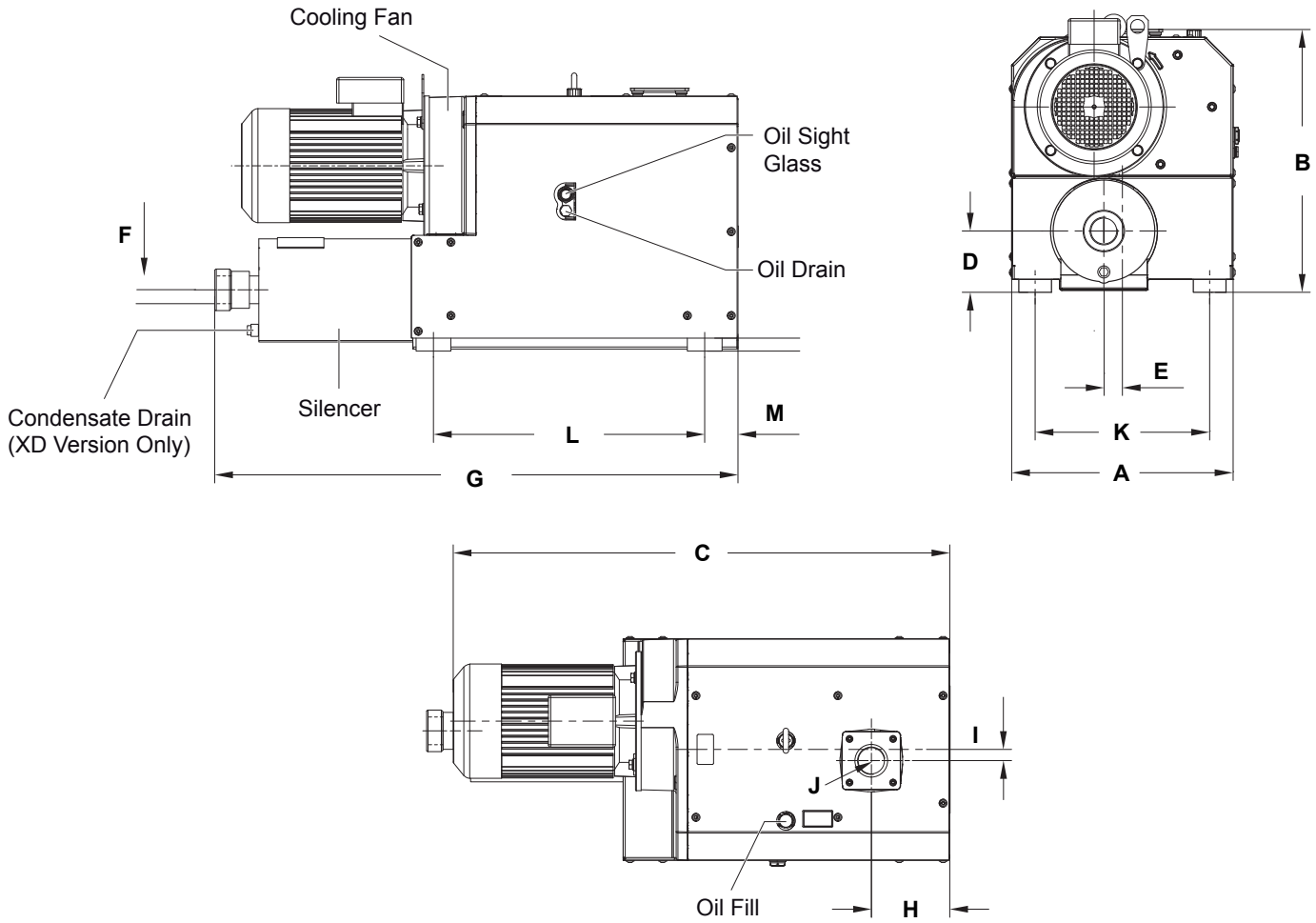
Typical Pumping Speed Curves



Dimensions

Values shown are approximate and should not be used for construction.
 Certified drawings are available through your local Kinney Sales Professional.

Models KVC-301



Model	A	B	C	D	E	F - EXHAUST	G	H	I	J - INLET	K	L	M
KVC-301	19.49	22.32	43.04	5.2	1.57		46.1	6.65	.94		14.72	23.03	2.83
in. / mm	495	567	1093	132	40	2" FNPT	1171	169	24	2" FNPT	374	585	72

CONTACT US

For more information, contact your
 Regional Sales Manager or call us at:

1-800-825-6937

Your Local Sales Professional: