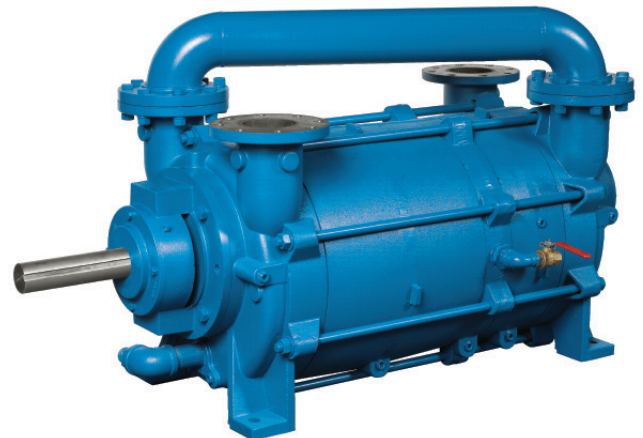


Model KLRC-950, KLRC-951

Features

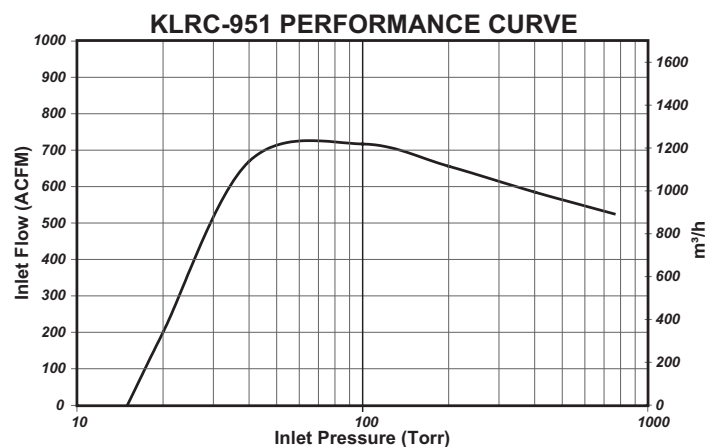
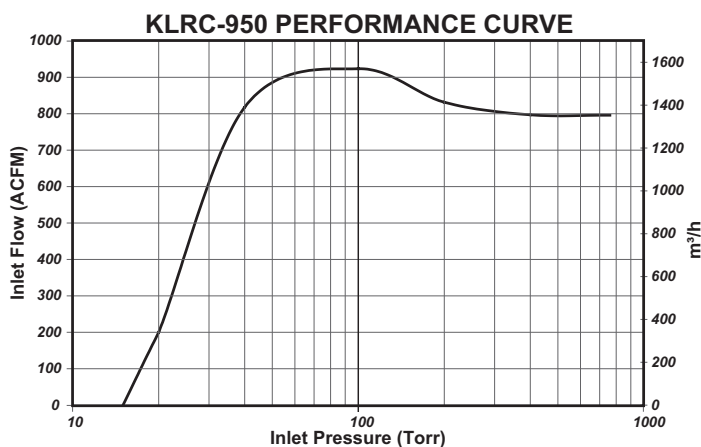
- Impellers positively locked to shaft
- Reliable mechanical seals for high-integrity sealing and low shaft friction
- Center-anchored tie rods allow access to either end of the pump without total disassembly
- Precision casting and CNC machining eliminates the need for body gasketing (process dependent)
- Replaceable end plates
- Clearance adjustments via shims
- Made in the USA



KLRC - 950/951 Material & Seal Code		
KLRC-200/300 XY	X	Material code
	Y	Mechanical seal code
Material Code (X)	F	Cast iron casings, SS316L impellers & SS316 shaft
Mechanical Seal Code (Y)	A	John Crane Type 21 Carbon/Ceramic/Viton
	D	Flowserve Type RO Carbon/Durchrome/Viton.
	M	Flowserve Type RO Carbon/Durchrome/Kalrez
Consult factory for alternate seal configurations		

Specifications	KLRC-950	KLRC-951
Motor Power	100 HP	60 HP
Pump Speed	1150 RPM	880 RPM
Seal Water Flow	760 to 300 Torr: 20 GPM 300 to 25 Torr: 30 GPM	
Noise Level	79 dBA @ 60 Torr (3 ft)	
Maximum Allowable Suction Temperature	160° F	

Typical Pumping Speed Curves



Above performance data based on 68° F inlet air with 50% relative humidity and using water as a sealant at 60° F.

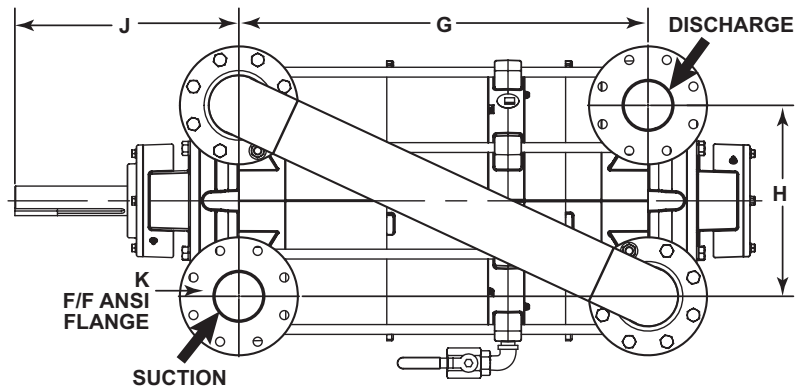
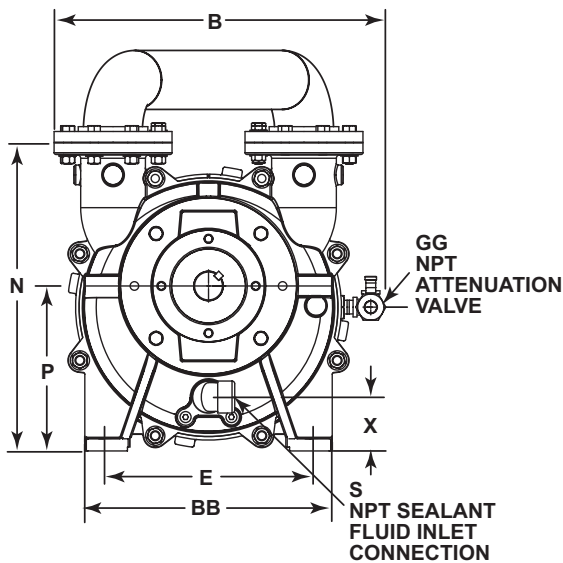
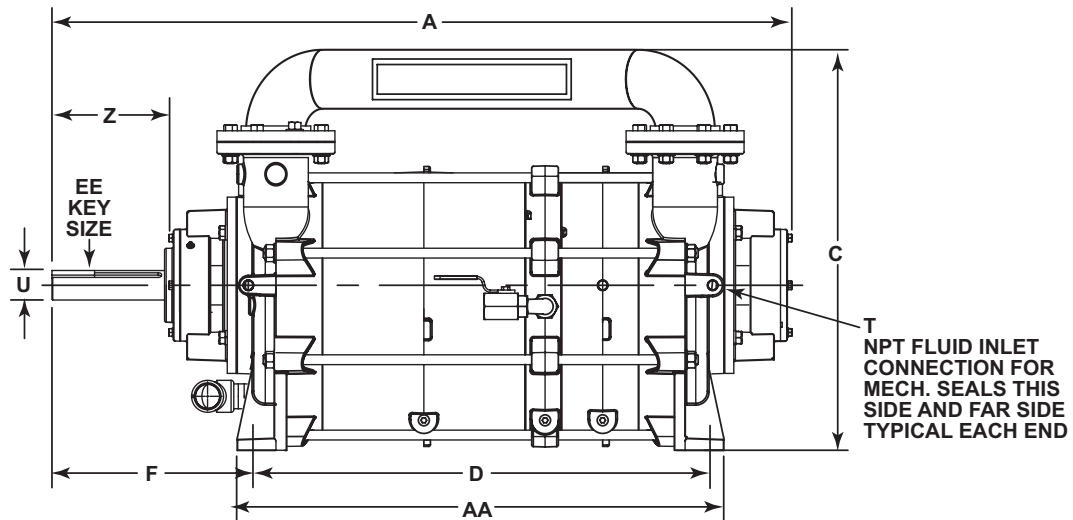
Dimensions

Values shown are approximate and should not be used for construction.
 Certified drawings are available through your local Kinney Sales Professional.

Bare Shaft Pump

Models: **KLRC-950 & KLRC-951**

PUMP ROTATION CLOCK-
 WISE FACING PUMP SHAFT

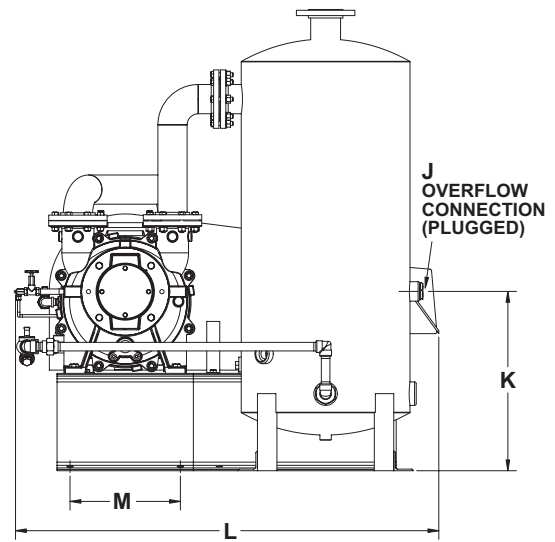
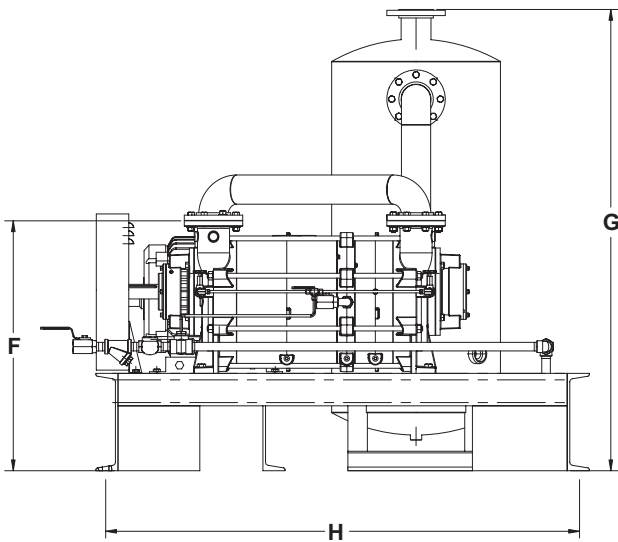
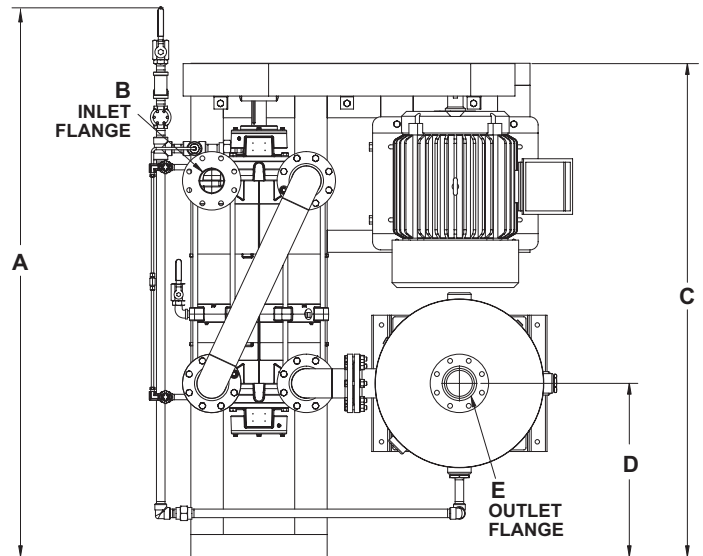
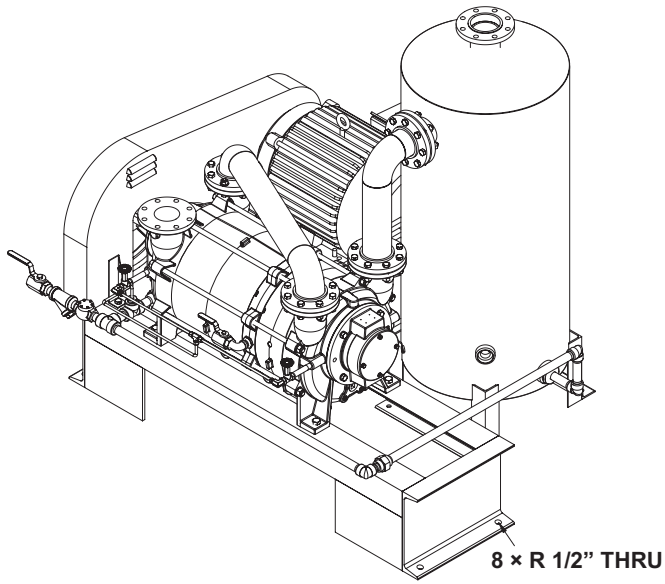


in mm	A	B	C	D	E	F	G	H	J	K	N
KLRC-950/951	56 1/2 1435	25 5/16 643	30 9/16 776	35 889	15 3/4 400	15 3/16 385	31 3/16 792	14 9/16 370	17 1/8 435	4" ANSI	23 1/2 597

in mm	P	S	T	U	X	Z	AA	BB	EE	GG	APPROX. WEIGHT LBS / kg
KLRC-950/951	12 5/8 321	1 1/2" NPT	1/2" NPT	2 1/4"	4 1/8 105	8 5/8 219	37 3/8 949	18 7/8 479	1/2 x 1/2	3/4" NPT	1588 720

PSR (Partial Sealant Recovery) System

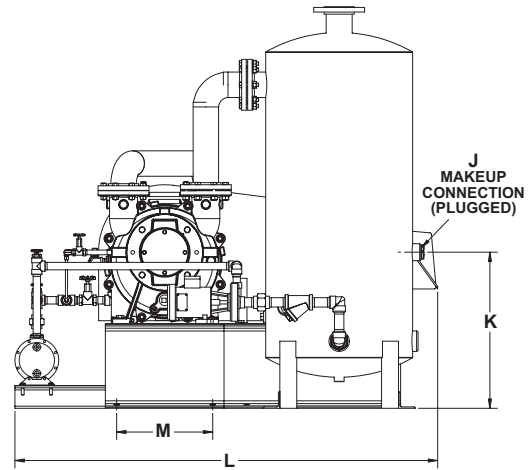
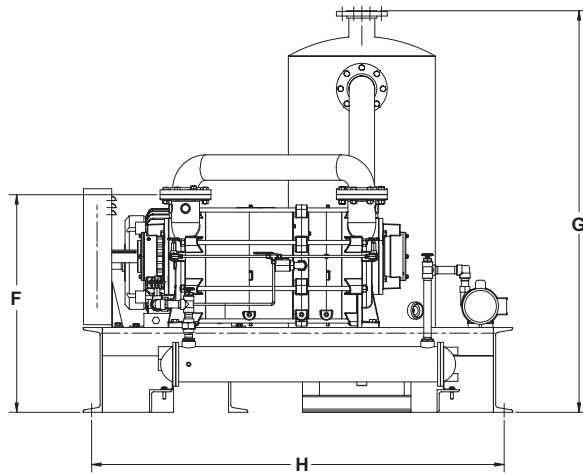
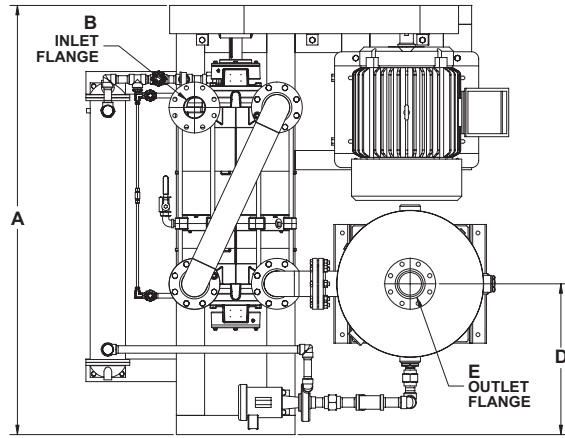
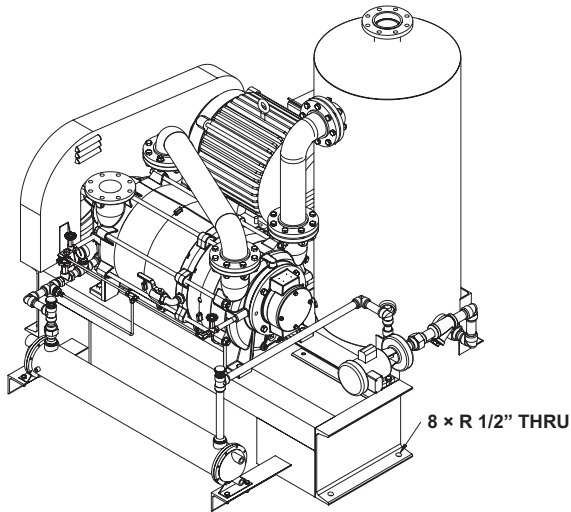
Models: KLRC-950 & KLRC-951



in mm	A	B	C	D	E	F	G	H	J	K	L	M	APPROX. WEIGHT LBS / kg
KLRC-950/951	84 9/16 2148	4" ANSI	75 15/16 1929	26 11/16 662	4 " ANSI	38 1/2 978	71 1/16 1805	73 1854	2" NPT	27 5/8 702	65 3/16 1656	17 432	2866 1300

FSR (Full Sealant Recovery) System

Models: KLRC-950 & KLRC-951



in <i>mm</i>	A	B	D	E	F	G	H	J	K	L	M	APPROX. WEIGHT LBS / <i>kg</i>
KLRC-950/951	76 1930	4" ANSI	26 11/16 662	4 " ANSI	38 1/2 978	71 1/16 1805	73 1854	2" NPT	27 5/8 702	74 13/16 1900	17 432	3332 1511

CONTACT US

For more information, contact your
Regional Sales Manager or call us at:

1-800-825-6937

Your Local Sales Professional: