

Vacuum Boosters

Models 150, 240, 400

Bi-directional Rotation

Series Options:

Vertical Flow, Mechanical Seals

Horizontal Flow, Mechanical Seals

Vertical Flow, Slinger Seals

Horizontal Flow, Slinger Seals

Vacuum boosters are used to “supercharge” vacuum pumps to greatly extend pump performance. This allows for much faster pumping speeds and deeper vacuum levels. Kinney vacuum boosters are utilized worldwide in the manufacture of chemicals, petrochemicals, plastics, semiconductors and wood composites as well as food processing, vacuum furnace applications and many other general applications in industry.

Mechanical Seals

These series incorporate mechanical sealing on the rotor shafts and the drive shaft, flanged port fittings, water cooled drive shaft seal, and cooling coils in the end covers. Water cooled drive shaft seal not included with optional motor mounting flange versions.

Slinger Seals

These series utilize a mechanical drive shaft seal in conjunction with a non-contacting, non-wearing slinger seal on the rotor shafts, water cooled drive shaft seal, flanged port fittings, and are dependable performers for air and many gas applications. Cooling coils are not included. Water cooled drive shaft seal not included with optional motor mounting flange versions.

Optional Materials and Coatings Available

Standard construction materials include cast iron housing, end plates and port fittings with ductile iron rotors and shafts. In addition to standard construction, the following materials are available:

Low Mechanical Noise

Every Kinney vacuum booster is designed to operate at 82 dB(A) or less at blank-off (open field; motor and background noise excluded).



Optional Motor Mounting Flanges

All models are available with flange adapters for mounting either a NEMA C-face motor (up to 75 HP) or an IEC D-flange motor (up to 55 kW) directly to the vacuum booster, eliminating the need for a separate base mounted assembly and coupling guard for the vacuum booster.

Metric Availability

All Kinney vacuum boosters are available with metric drive shaft and process connections.

Material Specifications:

Housing: Cast iron

End Plates: Cast iron

End Covers: Cast iron

Rotors: Ductile iron

Shafts: Ductile iron cast integrally with rotors

Drive Shaft: Ductile iron

Bearings: Gear end - Double row ball, both rotors
Back end - Cylindrical roller

Drive Shaft: Double row ball

Gears: Alloy steel, helical cut and precision ground

Seals: Drive shaft - Mechanical

Rotor shafts - Mechanical or Non-contacting slinger

Lubrication: Oil splash system, both ends

Special Materials

Ductile Iron

Carbon Steel*

Stainless Steel*

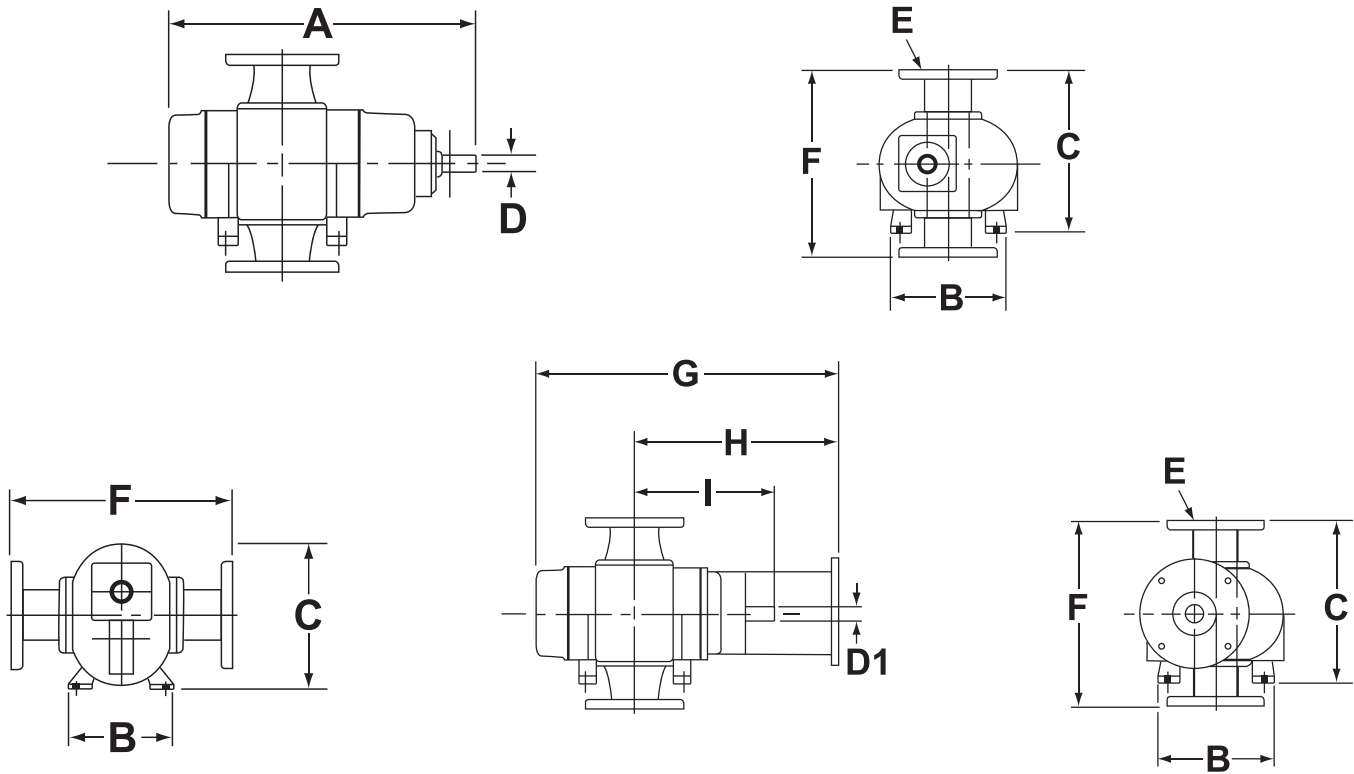
*240 and 400 only

Special Coatings

Bi-Protect® (Nickel/Armoly®)

Dimensions

Values shown are approximate and should not be used for construction.
 Certified drawings are available through your local Kinney Sales Professional.



| MODEL | DISPL. CFM | A | B | C | D Ø | D1 Ø | E | F | G | H | I |
|-------|------------|-------|------|-------|--------|---------|--------|-------|-------|-------|-------|
| 150 | 50-150 | 18.63 | 9.00 | 12.13 | 1.125 | .875 | 2" FLG | 13.25 | 20.69 | 14.06 | 11.00 |
| | | 19.25 | 7.00 | 10.06 | | | | | | | |
| 240 | 70-230 | 20.63 | 9.00 | 12.94 | 1.125 | .875 | 3" FLG | 14.88 | 22.69 | 15.06 | 12.00 |
| | | 21.25 | 7.00 | 10.06 | | | | | | | |
| 400 | 120-400 | 24.63 | 9.00 | 12.94 | 1.125 | .875 | 4" FLG | 14.88 | 26.69 | 17.06 | 14.00 |
| | | 25.25 | 7.00 | 10.06 | | | | | | | |

| MODEL | Net Wgt. (lbs.)* |
|-------|------------------|
| 150 | 150 |
| 240 | 200 |
| 400 | 270 |

*Approximate shipping weight.

* The shaft diameters identified as "D1" apply only to C-Face vacuum boosters.

CONTACT US

For more information, visit MD-Kinney online to locate your closest Regional Sales Manager.

WWW.MD-KINNEY.COM

Your Local Sales Professional: