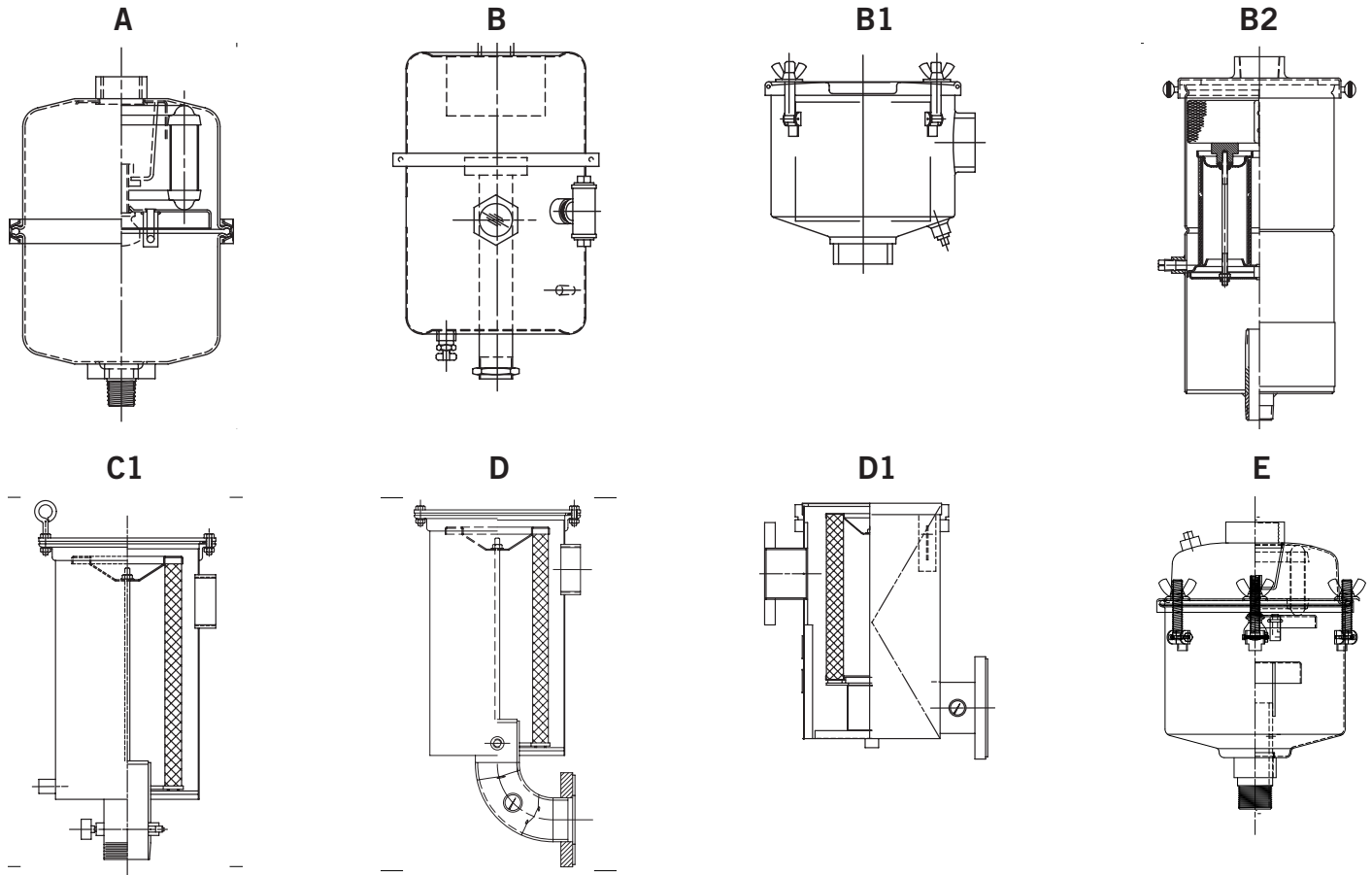
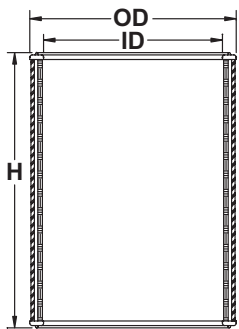


Oil Mist Eliminators (OME) filter out oil entrained in the gas discharge stream of mechanical oil-sealed vacuum pumps. When air and oil are expelled through the pump's discharge valves, most of the oil is separated by baffles. The oil then drains into the pump reservoir. At high suction pressures, the remaining smoke is composed of fine oil droplets, which are then filtered out by an oil mist eliminator. An OME can reduce the oil loss of mechanical vacuum pumps by eliminating up to 99.95% of oil droplets from the pump discharge.



Replacement Elements

If you already have a Kinney vacuum pump with an oil mist eliminator, you can use the drawing and table below to determine which element you need. If you know the model of your pump, you can also find this information on the following page.



ELEMENT	OD	ID	H	CFM
058231-00FE	11.25 / 286	9.75 / 248	15 / 381	325
058232-00FE	11.25 / 286	9.75 / 248	21.75 / 552	475
058241-00FE	4.625 / 117	3 / 76	9.25 / 235	60
058249-0000	5.25 / 133	2 / 51	12.25 / 311	85
058250-0000	6.25 / 159	3 / 76	15 / 381	165
058251-0000	8.5 / 216	5 / 127	17.69 / 449	315
058252-0000	8.5 / 216	5 / 127	15 / 381	520*

*Two (2) elements required per one assembly.

ELEMENT	OD	ID	H	CFM
058253-0000	8.5 / 216	5 / 127	24 / 610	870*
058279-0000	8 / 203	6.5 / 165	14.25 / 362	190
058283-0000	2.5 / 64	2 / 51	3.5 / 89	15
058284-0000	4 / 102	2.375 / 60	2.5 / 64	15
058285-0000	5.75 / 146	3.5 / 89	4 / 102	50
058287-0000	5 / 127	2.5 / 64	4.75 / 121	35
201201-0000	5.25 / 133	3.625 / 92	9 / 229	75
201325-0000	5.875 / 149	4.125 / 105	3.5 / 89	30

Dimensions shown in inches and millimeters

Oil Mist Eliminator Components and Part Numbers

PUMP MODEL	CFM m ³ /h	STYLE	WEIGHT LBS kg	OME PART #	OPTIONAL OIL RETURN KIT	SUCKBACK KIT	ELEMENT (6)	HOUSING/ LID GASKET (6)
KC-2/3/5/8 (Std/Ref)	8 13.6	A	5 2.3	809907-C000			058284 0000	050355 OVIT
KC2/3/5/8 (BF)	8 13.6	A	5 2.3	809913 C000			058284 0000	050355 OVIT
KC15 (Old Style)	15 25.5	A	13.9 6.3	808177 D000			201325 0000	808195 A000
KC15 (Std) (Old Style)	20** 34	B2	5 2.3	809906 C000			058283 0000	071118 OEPR
KC15 (Ref) (Old Style)	20** 34	B2	5 2.3	820063 0000			058283 0000	071118 OEPR
KC15 (Am/BF) (Old Style)	20** 34	B2	5 2.3	820064 0000			058283 0000	071118 OEPR
KC15 (Std)	20 34	E	5 2.3	058335 0000			058284 0000	050513 OVIT
KC15 (Ref)	20 34	E	5 2.3	058337 0000			058284 0000	050513 OVIT
KC15 (Am/BF)	20 34	E	5 2.3	058336 0000			058284 0000	050513 OVIT
KS15/KD30A	30 51	B	17 7.7	809946 C000			058285 0000	050445 OVIT
KS15/KD30A (Old Style)	30 51	B2	14 6.4	808176 D000			201325 0000	808195 A000
KTC21/35	30 51	B1	6.5 3	809955 C000			058287 0000	050509 OVIT
KD50	50 85	B	29 13.2	809953 C000			058285 0000	050508 OVIT
KTC60	85 144	D	32 14.5	058244 0000	809744 00BM	807640 A000	058249 0000	202992 0000
KTC60 (Old Style)	85 144	C1	32 14.5	058272 0000	809744 00BM	807640 A000	058249 0000	202992 0000
KDH65/80, KLRC40/75	85 144	C1	32 14.5	058272 0000	809744 00BM	807640 A000	058249 0000	202992 0000
KT120LP	120* 204	X ⁽²⁾				809241-B000 ⁽⁷⁾	058241 00FE	809330 B000
KTC112, KT150C	165 280	D	35 14.5	058245 0000	809744 00BM	807640 A000	058250 0000	202992 0000
KLRC 100/125, KTC112 (Old Style), KT150C (Old Style)	165 280	C1	40 18	058273 0000	809744 00BM	807640 A000	058250 0000	202992 0000
KDH130/150B	165 280	C1	40 18	058273 0000	809744 00BM	807640 A000	058250 0000	202992 0000
KT170 LP/190 LP	120* 204	X ⁽²⁾				809241-B000 ⁽⁷⁾	058241 00FE	809330 B000
KT275 LP	150* 255	X ⁽²⁾				809241-B000 ⁽⁷⁾	201201 0000	808965 A000
KTC225B, KT300C and D	315 535	D	50 22.7	058246 0000	809744 00BM	807640 A000	058251 0000	058256 0000
KLRC 200/300, KTC225B (Old Style), KT300C and D (Old Style)	315 535	C1	64 29	058274 0000	809744 00BM	807640 A000	058251 0000	058256 0000
KT500C and D	520* 884	D1	75 34	058247 0000	809745 00BM	807640 A000	058252 0000	058257 0000
KLRC 525/526, KT500C and D (Old Style)	650*** 1105	C1	175 79.4	058275 0000	809744 00BM	807640 A000	058250 0000	202995 0000
KT505 LP ^{See notes 3 and 5}	380* 646	X ⁽²⁾				809241-B000 ⁽⁷⁾	058279 0000 ^(3 & 5)	809035 B000
KT505 LP ^{See notes 4 and 5}	380* 646	X ⁽²⁾				809241 B000 ⁽⁷⁾	058279 0000 ^(4 & 5)	809035 B000
KT840	650* 1105	X ⁽²⁾				809566 00BM	058231 00FE	809220 A000
KT850C and D	870* 1479	D1	125 56.7	058248 0000	809745 00BM	807640 A000	058253 0000	058257 0000
KLRC775/776, KT850C and D (Old Style)	900** 1530	C1	240 108.9	058276 0000	809744 00BM	807640 A000	058251 0000	202996 0000
KLRC 950/951, KT850C and D (Old Style)	1200** 2040	C1	255 115.7	058277 0000	809744 00BM	807640 A000	058253 0000	202996 0000
KT1350VFP	950* 1615	X ⁽²⁾				809566-00BM	058232 00FE	809220 A000

CONTACT US

For more information, contact your
Regional Sales Manager or call us at:

1-800-825-6937

Your Local Sales Professional: