

Vacuum Boosters

Models 4000, 6500, 7900, 8000, 10000

Bi-directional Rotation

Series Options:

Vertical Flow, Mechanical Seals, Integral Pressure Lubrication
 Horizontal Flow, Mechanical Seals, Integral Pressure Lubrication
 Vertical Flow, Slinger Seals, Integral Pressure Lubrication
 Horizontal Flow, Slinger Seals, Integral Pressure Lubrication

Vacuum boosters are used to “supercharge” vacuum pumps to greatly extend pump performance. This allows for much faster pumping speeds and deeper vacuum levels. Kinney vacuum boosters are utilized worldwide in the manufacture of chemicals, petrochemicals, plastics, semiconductors and wood composites as well as food processing, vacuum furnace applications and many other general applications in industry.

Mechanical Seals, Integral Pressure Lubrication

These series incorporate mechanical seals on the rotor shafts and the drive shaft, flanged port fittings, water cooled drive shaft seal, and integral pressure lubrication system with water cooled heat exchanger.

Slinger Seals, Integral Pressure Lubrication

These series utilize a mechanical drive shaft seal in conjunction with a non-contacting, non-wearing slinger seal on the rotor shafts, flanged port fittings, water cooled drive shaft seal, and integral pressure lubrication system with water cooled heat exchanger. Cooling coils are not included.

Optional Materials and Coatings Available

Standard construction materials include cast iron housing, end plates and port fittings with ductile iron rotors and shafts. In addition to standard construction, the following materials are available:

Special Materials

Ductile Iron
 Carbon Steel*
 Stainless Steel*

*4000, 6500 only

Special Coatings

Bi-Protec® (Nickel/Armoly®)

Low Mechanical Noise

Every Kinney vacuum booster is designed to operate at 82 dB(A) or less at blank-off (open field; motor and background noise excluded).



Metric Availability

All Kinney vacuum boosters are available with metric drive shaft and process connections.

Material Specifications:

Housing: Cast iron

End Plates: Cast iron

End Covers: Cast iron

Rotors: Ductile iron

Shafts: Ductile iron cast integrally with rotors

Drive Shaft: SAE 4140 forged alloy steel

Bearings: Gear end - Double row ball, both rotors
 Back end - Double row ball

Drive Shaft: Spherical roller

Gears: Heat-treated alloy steel, helical cut and precision ground

Seals: Drive shaft - Mechanical

Rotor shafts - Mechanical or Non-contacting slinger

Lubrication: Integral pressure lube standard

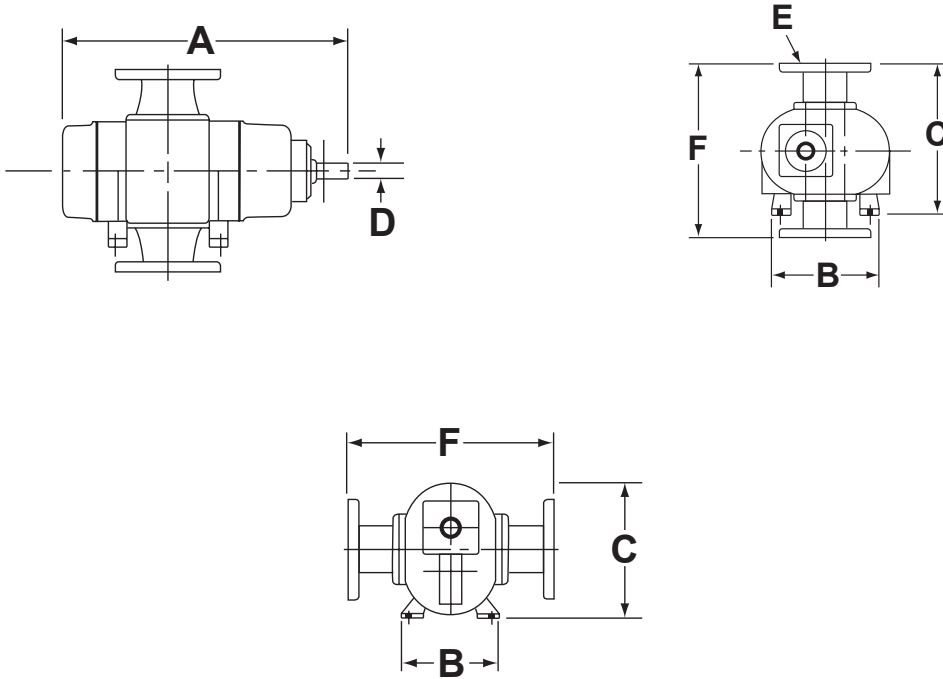
MODEL	Net Wgt. (lbs.)*
4000	4200
6500	4900
7900	5400

MODEL	Net Wgt. (lbs.)*
8000	5900
10000	6850

*Approximate shipping weight.

Dimensions

Values shown are approximate and should not be used for construction.
 Certified drawings are available through your local Kinney Sales Professional.



MODEL	SERIES	DISPL. CFM	A	B	C	D Ø	E	F
4000	V	890-4000	65.75	33.75	29.31	3.500	12" FLG	26.00
	H			20.38	40.50			
6500	V	1400-6400	74.75	33.75	29.31	3.500	14" FLG	26.00
	H			20.38	40.50			
7900	V	1800-8000	80.75	33.75	29.31	3.500	14" FLG	26.00
	H			20.38	40.50			
8000	V	2100-9500	86.75	33.75	29.31	3.500	18" FLG	26.00
	H			20.38	40.50			
10000	V	2800-10000	98.75	33.75	29.31	3.500	20" FLG	26.00
	H			20.38	40.50			

CONTACT US

For more information, contact your
 Regional Sales Manager or call us at:

1-800-825-6937

Your Local Sales Professional: