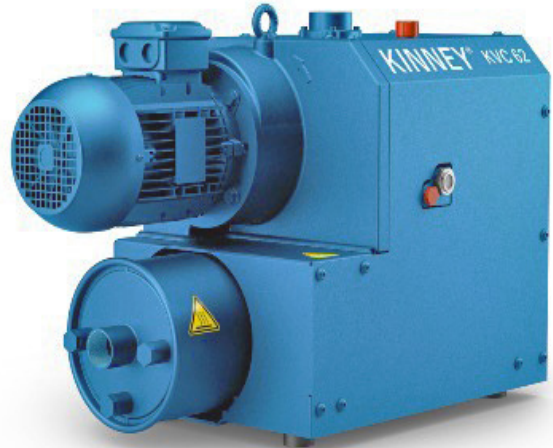


Models

KVC-62XD KVC-122XD

Features

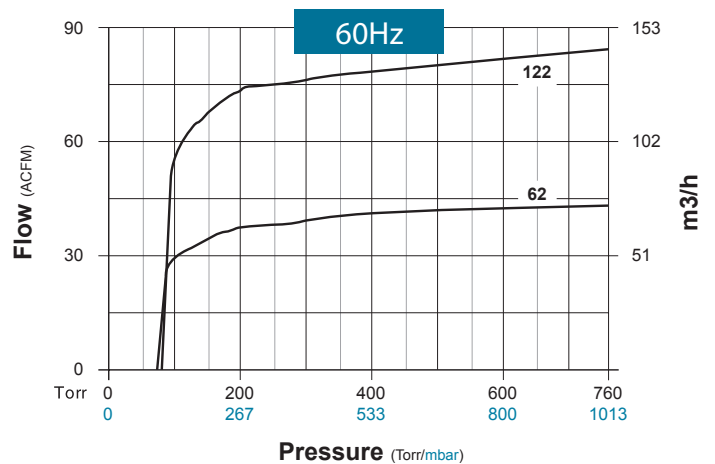
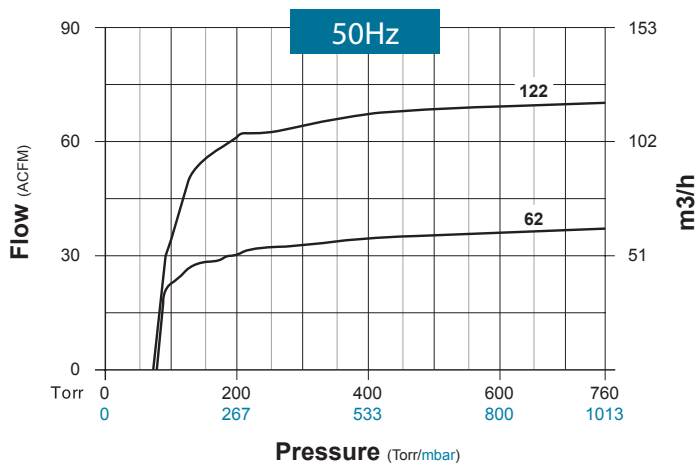
- High efficiency, dry, contactless oil-free compression
- Extreme Duty: XD models include coated internals and flush ports for ease of cleaning compression chamber
- Low sound level: down to 63 dBA
- Ultimate vacuum for continuous operation to 75 Torr/100 mbar/ 27"HgV
- Air-cooled and low, easy maintenance with removable claws (no synchronization needed)
- Suitable for multiple applications with air or inert gases
- Compact design, simple and fast installation



Specifications

Model	Nominal Displacement	Ultimate Pressure	Motor	Rotation Speed	Oil Capacity	Pump Weight <i>Includes Motor</i>	Noise Level Max
	CFM / m3/hr	Torr / mbar / in HgV	60Hz HP / 50Hz kW	60Hz / 50Hz	Gal. / Liters	Lbs. / kg	dB(A)
KVC-62	50Hz 36.5 / 62 60Hz 43.5 / 74	75 / 100 / 27	2.4 / 1.5	1745 / 1450	.45 / .43	251 / 114	63
KVC-122	50Hz 70.6 / 120 60Hz 84.8 / 144	75 / 100 / 27	4 / 2.7	3475 / 2897	.45 / .43	265 / 120	73

Typical Pumping Speed Curves

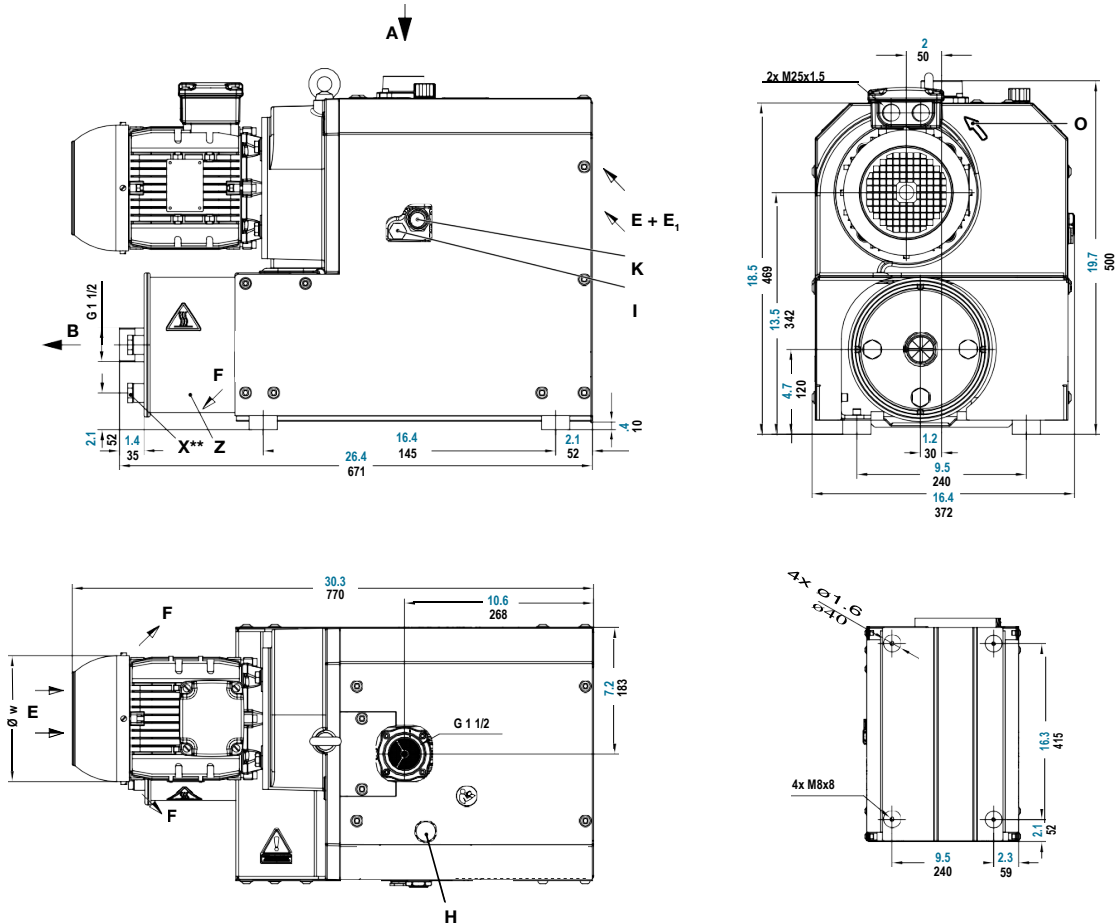


Dimensions

in/mm

Values shown are approximate and should not be used for construction.
 Certified drawings are available through your local Kinney Sales Professional.

Models KVC-62XD, KVC-122XD



A	Vacuum Connection
B	Exhaust
E	Cooling Air Entry
E₁	Cooling Air Entry ZUV
F	Cooling Air Exit
H	Oil Filling Point

I	Oil Sight Glass
K	Oil Drain Port
O	Rotation Arrow
X	Condensate Drain G ¼
Z	Exhaust Silencer

***Only for XD version*

CONTACT US

For more information, visit MD-Kinney online to locate your closest Regional Sales Manager.

WWW.MD-KINNEY.COM

Your Local Sales Professional: